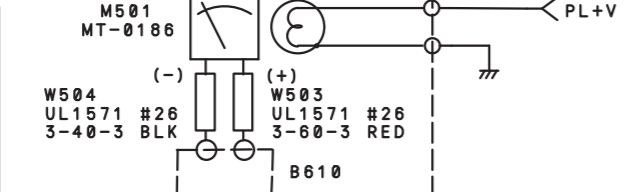
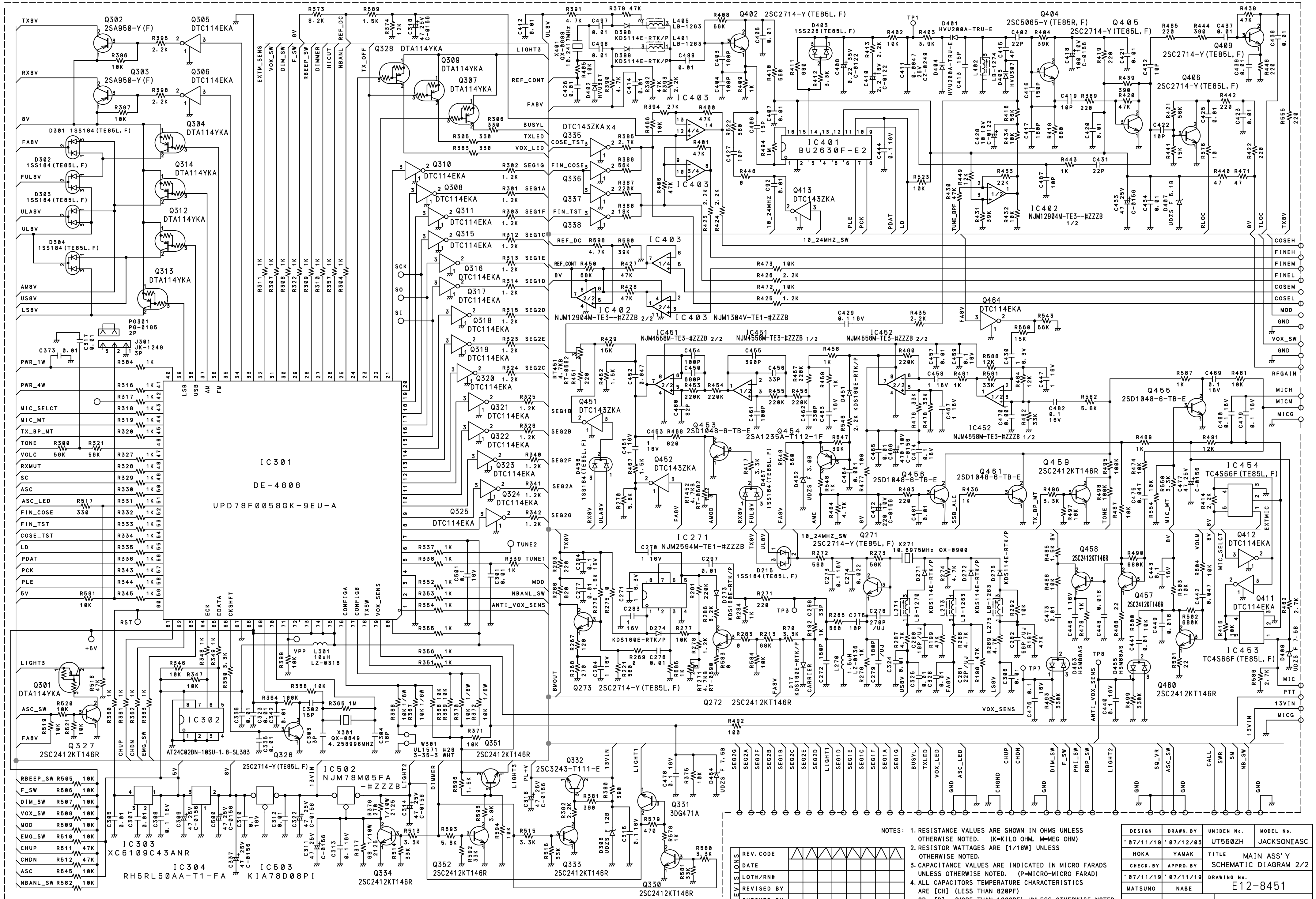


REV. DATE	REV. CODE
DATE	
LOT# / R/NH	
REVISED BY	
CHECKED BY	



- NOTES:
1. RESISTANCE VALUES ARE SHOWN IN OHMS UNLESS OTHERWISE NOTED. (K=KILLO OHM, M=MEG OHM)
 2. RESISTOR WATTAGES ARE [1/16W] UNLESS OTHERWISE NOTED.
 3. CAPACITANCE VALUES ARE INDICATED IN MICRO FARADS UNLESS OTHERWISE NOTED. (P=MICRO-MICRO FARAD)
 4. ALL CAPACITORS TEMPERATURE CHARACTERISTICS ARE [CH] (LESS THAN 820PF) OR [B] (MORE THAN 1000PF) UNLESS OTHERWISE NOTED.
 5. ALL CAPACITORS ARE 50V UNLESS OTHERWISE NOTED.

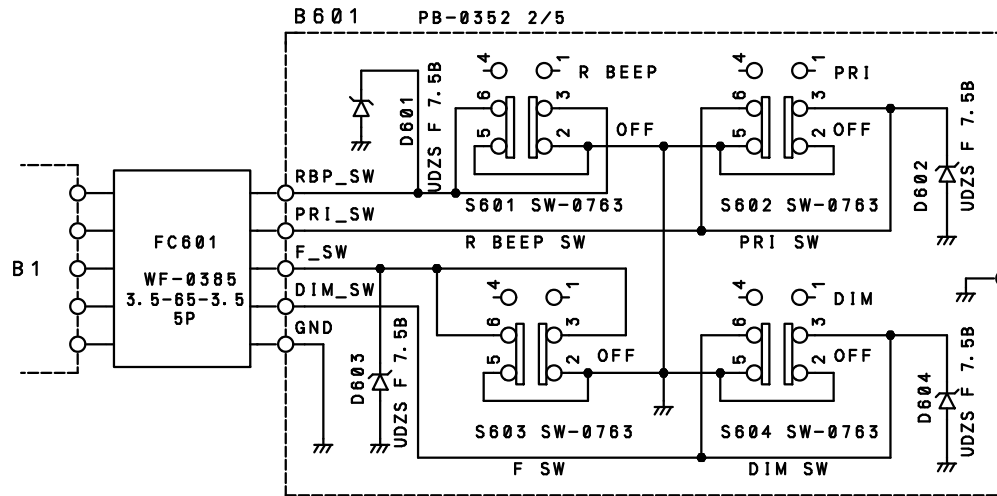
DESIGN	DRAWN BY	UNIDEN No.	MODEL No.
'07/11/19	'07/12/03	UT560ZH	JACKSON/JASC
HOKA	YAMAK		TITLE
CHECK BY	APPRD BY		SCHEMATIC DIAGRAM 1/2
'07/11/19	'07/11/19		DRAWING No.
MATSUNO	NABE		E12-8450
REV. No			UNIDEN CORP.



NOTES: 1. RESISTANCE VALUES ARE SHOWN IN OHMS UNLESS OTHERWISE NOTED. (K=KILO OHM, M=MEG OHM)
 2. RESISTOR WATTAGES ARE [1/16W] UNLESS OTHERWISE NOTED.
 3. CAPACITANCE VALUES ARE INDICATED IN MICRO FARADS UNLESS OTHERWISE NOTED. (P=MICRO-MICRO FARAD)
 4. ALL CAPACITORS TEMPERATURE CHARACTERISTICS ARE [CH] (LESS THAN 820PF) OR [B] (MORE THAN 1000PF) UNLESS OTHERWISE NOTED.
 5. ALL CAPACITORS ARE 50V UNLESS OTHERWISE NOTED.

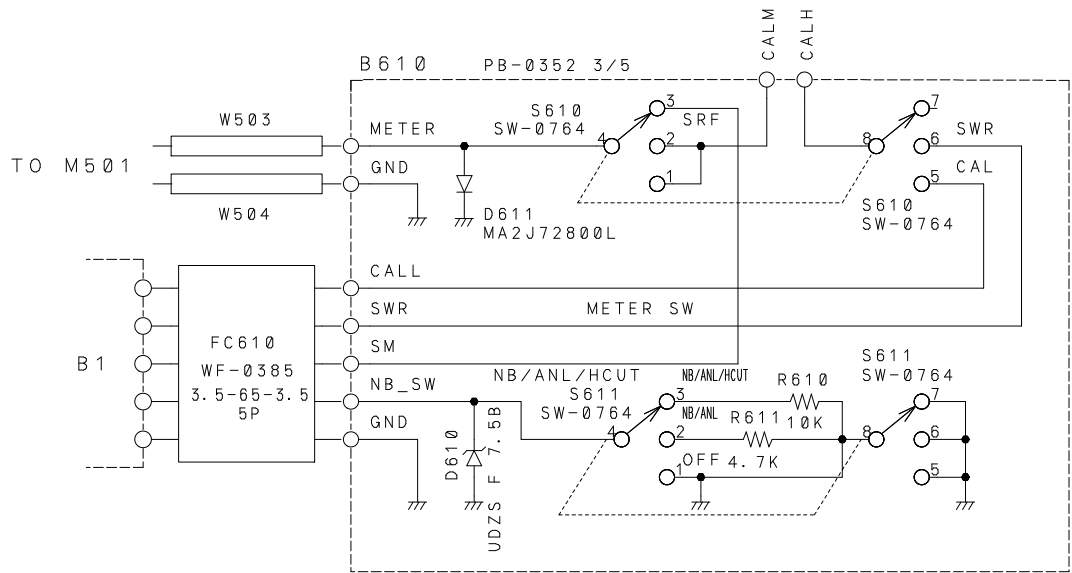
DESIGN	DRAWN BY	UNIDEN No.	MODEL No.
'07/11/19	'07/12/03	UT560ZH	JACKSONIASC
HOKA	YAMAK	TITLE	MAIN ASS'Y
CHECK BY	APPRO BY	SCHEMATIC DIAGRAM 2/2	
'07/11/19	'07/11/19	DRAWING No.	E12-8451
MATSUMO	NABE	REV. No	UNIDEN CORP.

REV. CODE	
DATE	
LOT# / R#	
REVISED BY	
CHECKED BY	



REVISIONS	REV. CODE	△	△	△	△	△	△	△	△	△	△	△	△	△	△	△	△
	DATE																
	LOT#/RN#																
	REVISED BY																
	CHECKED BY																

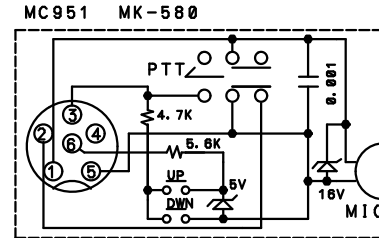
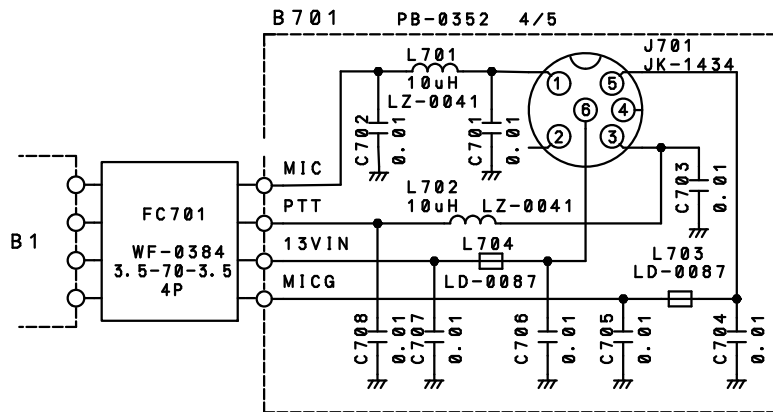
DESIGN	DRAWN BY	UNIDEN No.	MODEL No.
' 07/11/19	' 07/11/19	UT560ZH	JACKSONIASC
HOKA	YAMAK	TITLE SW ASS'Y	
CHECK BY	APPRO. BY	SCHEMATIC DIAGRAM	
' 07/11/19	' 07/11/19	DRAWING No.	
MATSUNO	NABE	E14-8453	
REV. No		UNIDEN CORP.	



- NOTES:
1. RESISTANCE VALUES ARE SHOWN IN OHMS UNLESS OTHERWISE NOTED. (K=KILO OHM, M=MEG OHM)
 2. RESISTOR WATTAGES ARE [1/16W] UNLESS OTHERWISE NOTED.

REVISIONS	REV. CODE	△	△	△	△	△	△	△	△	△	△	△	△	△	△	△	△
	DATE																
	LOT#/RN#																
	REVISED BY																
	CHECKED BY																

DESIGN	DRAWN. BY	UNIDEN No.	MODEL No.
'07/11/19	'07/11/19	UT560ZH	JACKSONIASC
HOKA	YAMAK	TITLE NB MTR SW ASS'Y	
CHECK. BY	APPRO. BY	SCHEMATIC DIAGRAM	
'07/11/19	'07/11/19	DRAWING No.	
MATSUNO	NABE	E14-8454	
REV. No		UNIDEN CORP.	

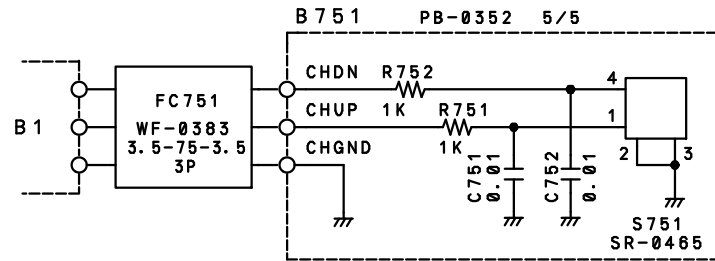


NOTES:

1. RESISTANCE VALUES ARE SHOWN IN OHMS UNLESS OTHERWISE NOTED. (K=KILO OHM, M=MEG OHM)
2. RESISTOR WATTAGES ARE [1/16W] UNLESS OTHERWISE NOTED.
3. CAPACITANCE VALUES ARE INDICATED IN MICRO FARADS UNLESS OTHERWISE NOTED. (P=MICRO-MICRO FARAD)
4. ALL CAPACITORS TEMPERATURE CHARACTERISTICS ARE [CH] (LESS THAN 820PF) OR [B] (MORE THAN 1000PF) UNLESS OTHERWISE NOTED.
5. CHIP CAPACITORS TYPE ARE [1608] UNLESS OTHERWISE NOTED.

REVISIONS	REV. CODE	△	△	△	△	△	△	△	△	△	△	△	△	△	△	△	△	△
	DATE																	
	LOT#/RN#																	
	REVISED BY																	
	CHECKED BY																	

DESIGN	DRAWN BY	UNIDEN No.	MODEL No.
' 07/11/19	' 07/11/19	UT560ZH	JACKSONIASC
HOKA	YAMAK	TITLE MIC ASS'Y SCHEMATIC DIAGRAM	
CHECK BY	APPRO. BY		
' 07/11/19	' 07/11/19	DRAWING No. E14-8456	
MATSUNO	NABE		
REV. No		UNIDEN CORP.	

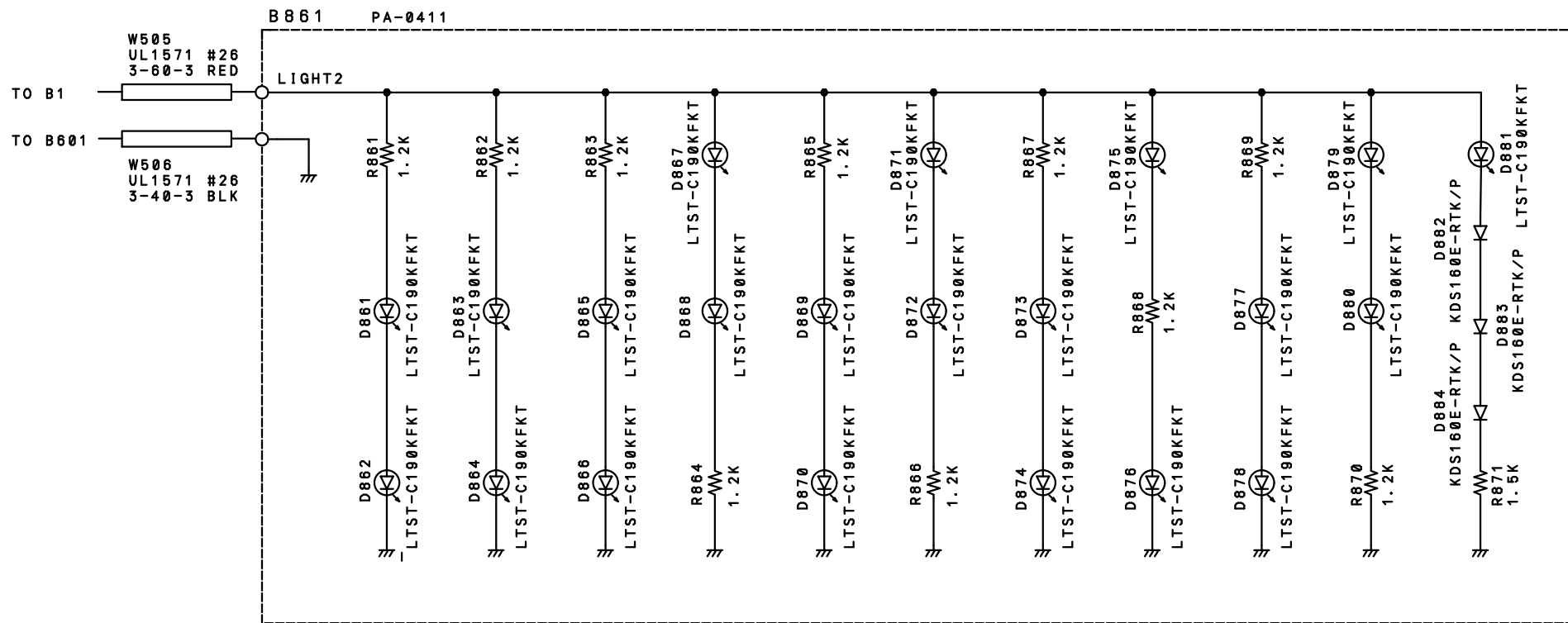


NOTES:

1. RESISTANCE VALUES ARE SHOWN IN OHMS UNLESS OTHERWISE NOTED. (K=KILO OHM, M=MEG OHM)
2. RESISTOR WATTAGES ARE [1/16W] UNLESS OTHERWISE NOTED.
3. CAPACITANCE VALUES ARE INDICATED IN MICRO FARADS UNLESS OTHERWISE NOTED. (P=MICRO-MICRO FARAD)
4. ALL CAPACITORS TEMPERATURE CHARACTERISTICS ARE [CH] (LESS THAN 820PF) OR [B] (MORE THAN 1000PF) UNLESS OTHERWISE NOTED.
5. CHIP CAPACITORS TYPE ARE [1608] UNLESS OTHERWISE NOTED.

REVISIONS	REV. CODE	△	△	△	△	△	△	△	△	△	△	△	△	△	△	△	△
	DATE																
	LOT#/RN#																
	REVISED BY																
	CHECKED BY																

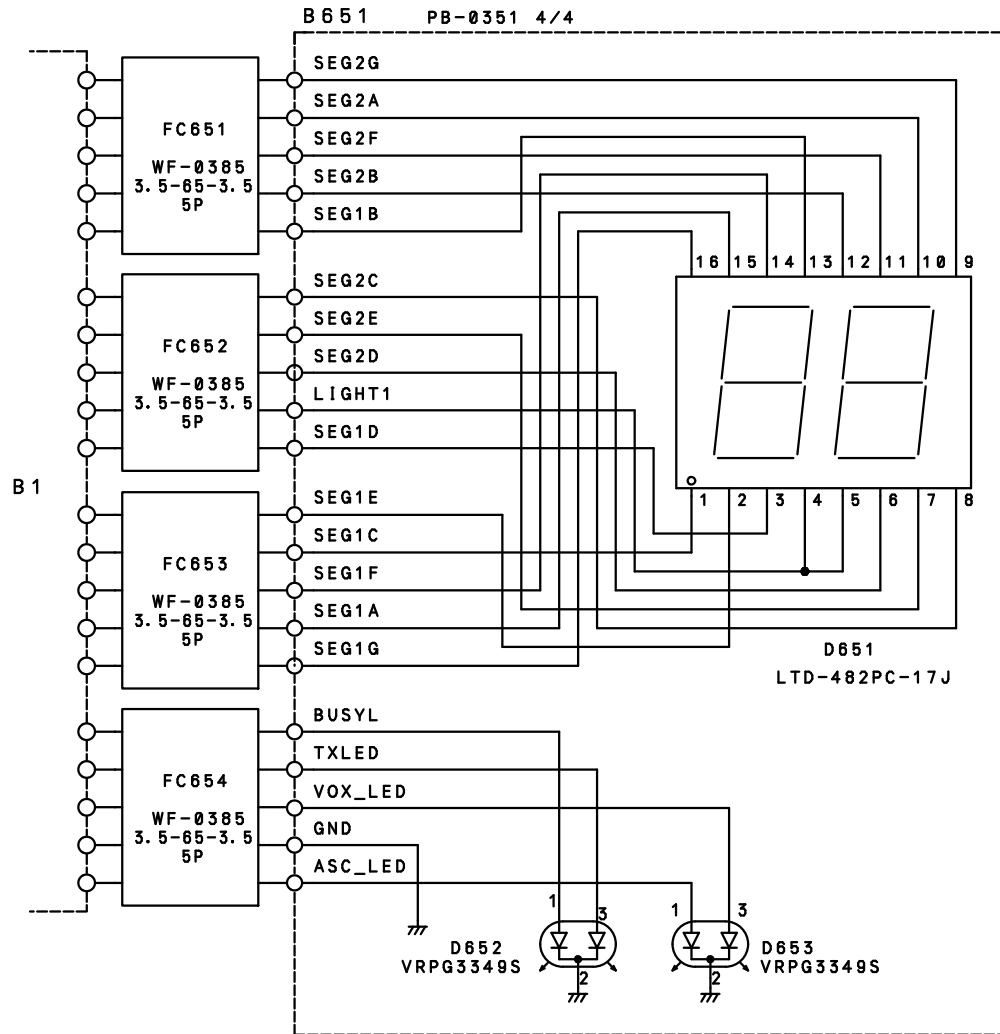
DESIGN	DRAWN BY	UNIDEN No.	MODEL No.
' 07/11/19	' 07/11/19	UT560ZH	JACKSONIASC
HOKA	YAMAK	TITLE CH SW ASS'Y	
CHECK BY	APPRO BY	SCHEMATIC DIAGRAM	
' 07/11/19	' 07/11/19	DRAWING No.	
MATSUNO	NABE	E14-8457	
REV. No		UNIDEN CORP.	



- NOTES:
1. RESISTANCE VALUES ARE SHOWN IN OHMS UNLESS OTHERWISE NOTED. (K=KILO OHM, M=MEG OHM)
 2. RESISTOR WATTAGES ARE [1/16W] UNLESS OTHERWISE NOTED.

REVISIONS	REV. CODE	△	△	△	△	△	△	△	△	△	△	△	△	△	△	△	△
	DATE																
	LOT#/RN#																
	REVISED BY																
	CHECKED BY																

DESIGN	DRAWN BY	UNIDEN No.	MODEL No.
' 07/11/19	' 07/11/19	UT560ZH	JACKSONIASC
HOKA	YAMAK	TITLE FRONT LED ASS' Y SCHEMATIC DIAGRAM	
CHECK BY	APPRO BY		
' 07/11/19	' 07/11/19	DRAWING No. E14-8458	
MATSUNO	NABE		
REV. No		UNIDEN CORP.	



REVISIONS	REV. CODE	△	△	△	△	△	△	△	△	△	△	△	△	△	△	△	△
	DATE																
	LOT#/RN#																
	REVISED BY																
	CHECKED BY																

DESIGN	DRAWN. BY	UNIDEN No.	MODEL No.
' 07/11/19	' 07/11/19	UT560ZH	JACKSONIASC
HOKA	YAMAK	TITLE LED ASS'Y	
CHECK. BY	APPRO. BY	SCHEMATIC DIAGRAM	
' 07/11/19	' 07/11/19	DRAWING No.	
MATSUNO	NABE	E14-8455	
REV. No		UNIDEN CORP.	