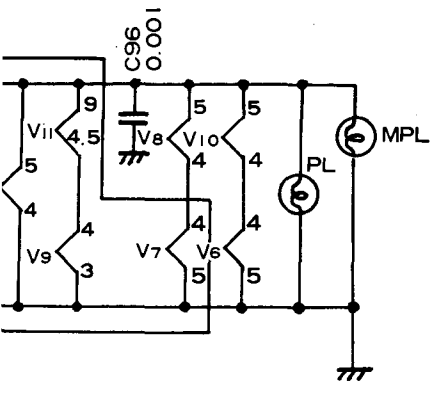


Q 7 :	14.950MHz	Q 1 :	23.290MHz
Q 8 :	14.960 "	Q 2 :	23.340 "
Q 9 :	14.970 "	Q 3 :	23.390 "
Q 10 :	14.990 "	Q 4 :	23.440 "
		Q 5 :	23.490 "
		Q 6 :	23.540 "



NOTE  
 \* RESISTORS ARE 1/2WATT UNLESS NOTED  
 \* CAPACITORS ARE 500V UNLESS NOTED  
 \* TEST POINT A, B & C: See the instruction. page 17.

**SCHEMATIC DIAGRAM FOR "COMSTAT 35"**

STOCK NO. 99-32971W

**Lafayette** RADIO ELECTRONICS CORPORATION

111 Jericho Turnpike, Syosset, L.I., New York 11791