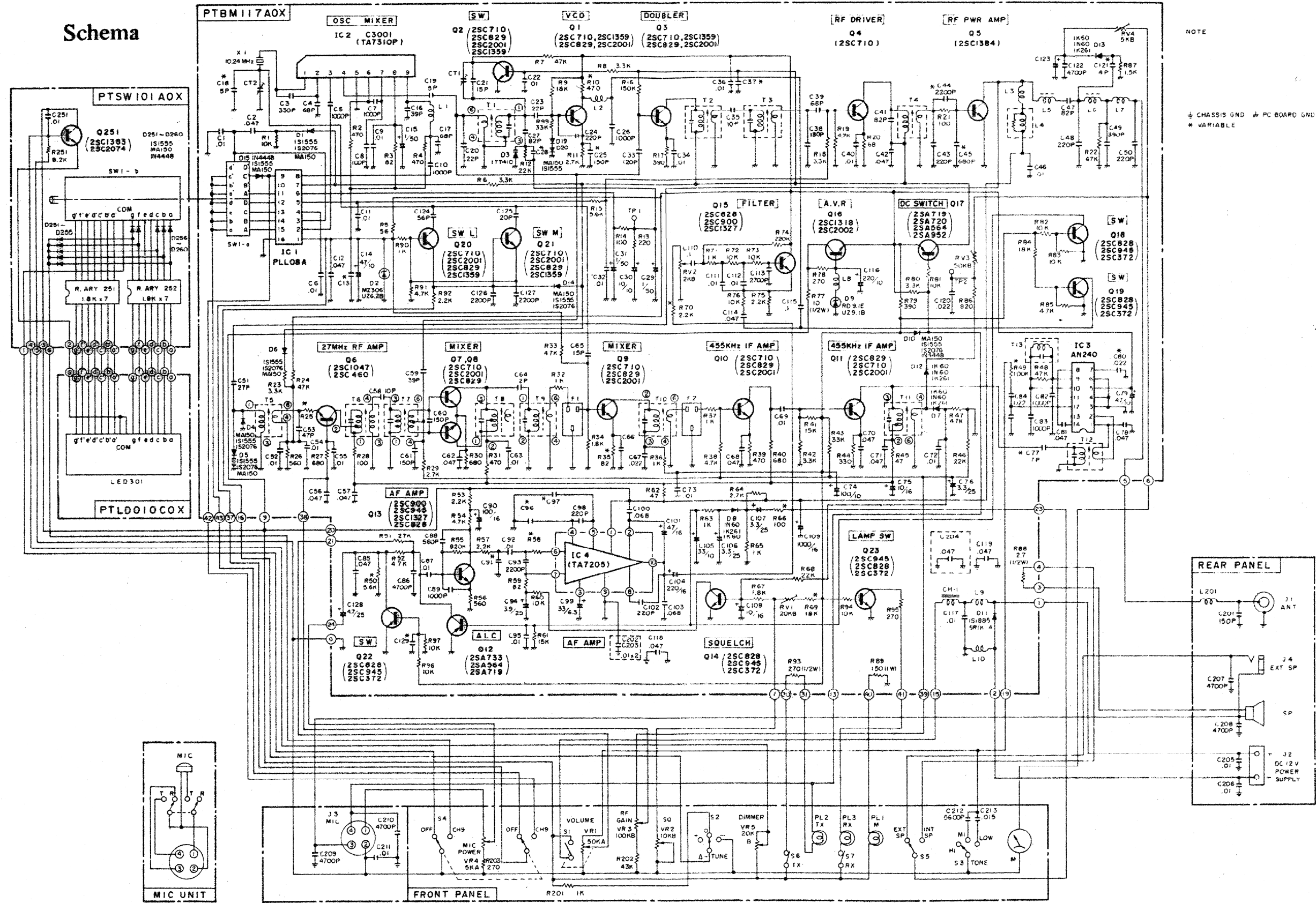
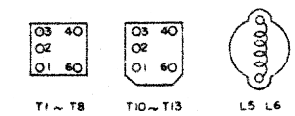


Schema

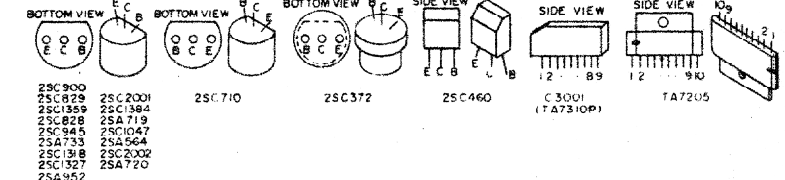


NOTE
 ± CHASSIS GND * PC BOARD GND
 * VARIABLE

TRANSFORMER TERMINATION INFORMATION (BOTTOM VIEW)



TRANSISTOR BASE INFORMATION



E EMITTER C COLLECTOR B BASE

