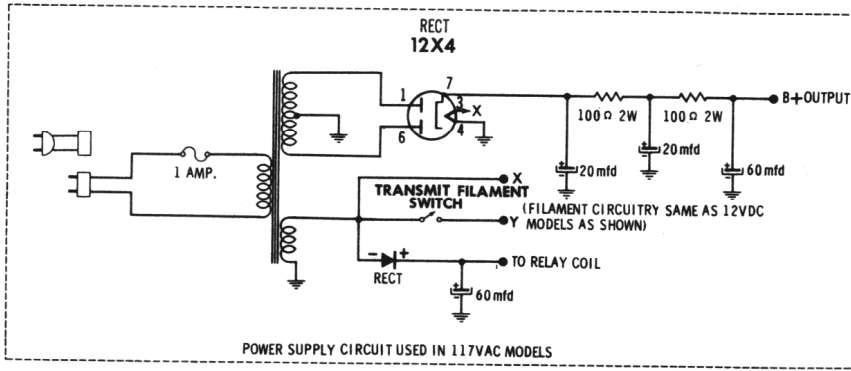


- DC voltage measurements taken with vacuum tube voltmeter; AC voltages measured with 1000 ohm per volt voltmeter.
- Socket connections are shown as bottom views.
- Measured values are from socket pin to common ground.
- Line voltage maintained at 117 volts for voltage readings.
- Nominal tolerance on component values makes possible a variation of +15% in voltage and resistance readings.
- Volume control at maximum, no signal applied for voltage measurements.

NUMBERS ASSIGNED TO COILS, SWITCHES, PLUGS, SOCKETS, AND TRANSFORMERS ARE TO FACILITATE CIRCUIT TRACING OR COMPONENT REPLACEMENT AND MAY NOT NECESSARILY BE FOUND ON THE UNIT.



A PHOTOFAC STANDARD NOTATION SCHEMATIC © Howard W. Sams & Co., Inc. 1961

SEE PARTS LIST FOR ALTERNATE VALUE OR APPLICATION
DC COIL RESISTANCE VALUES UNDER ONE OHM NOT SHOWN ON SCHEMATIC DIAGRAM
ARROWS ON CONTROLS INDICATE CLOCKWISE ROTATION (CONTROL VIEWED FROM SHAFT END)

RESISTANCE READINGS

ITEM	TUBE	Pin 1	Pin 2	Pin 3	Pin 4	Pin 5	Pin 6	Pin 7	Pin 8	Pin 9
V1	12AU6	2meg	0 0	0 0	2 0	+100 0	+100K	0 0		
V2	6U8A	+10K	0 0	+100K	2 0	3 0	+3400 0	2200 0	0 0	100K
V3	12BA6	1.8 meg	0 0	0 0	2 0	+11K	+11K	0 0		
V4	12CR6	0 0	520K	2 0	0 0	+270K	+1 meg	2.2 meg		
V5	12AL5	+1.2 meg	270K	0 0	4 0	2.5 meg	0 0	+ 2.1 meg		
V6	6AQ5	560K	330 0	0 0	3 0	+365 0	+100 0	560K	820 0	
V7	12AU7	+1430 0	22K	0 0	0 0	2 0	+10K	10K	0 0	NC
V8	12AQ5	NC	0 0	2 0	0 0	+585 0	+10K	10K		
V9	12X4	135 0	TP	0 0	2 0	NC	120 0	1		

ALL MEASUREMENTS MADE IN "RECEIVE" POSITION UNLESS OTHERWISE DESIGNATED.
0 = MEASURED IN "TRANSMIT" POSITION.
NC = NO CONNECTION
* THIS READING WILL VARY DEPENDING UPON THE CONDITION OF THE ELECTROLYTIC IN THE CIRCUIT.
† MEASURED FROM PIN 7 OF V9.
TP = TIE POINT

