

# SECRET CB



CONFIDENTIAL  
**FACTUAL  
REPORT**  
SCHEMATICS ETC.  
UPDATED QUARTERLY



## TABLE OF CONTENTS

INTRODUCTION .....	Pages 1-4
NEW CRYSTAL CROSS REFERENCE GUIDE .....	Pages 5-14
SPECIFIC RADIO MODIFICATIONS .....	Pages 15-40
SPECIFIC RADIO TUNE-UPS .....	Pages 41-43
IMPORTANT SERVICE BULLETINS .....	Pages 44-52
ANTENNA REPORTS .....	Pages 53-55
BETA-COM SWITCH INFORMATION COMPLETE WITH SERVICE BULLETINS .....	Pages 56-86

Secret C.B.

Volume Two

Published April, 1978

New issues quarterly

Address any and all inquiries  
with return address to:

Selman Enterprises  
P. O. Box 8189  
Corpus Christi, Texas 78412

INTRODUCTION

The information in this book is not to be used to exceed F.C.C. specifications, in any case, as applied to power, modulation, frequency spectrum, etc. It is illegal to do this to any CLASS D RADIO.

This book is a factual report of gathered information, and as such is intended for use on radios FOR EXPORT ONLY.

If you are not familiar with electronics, it is better to check for advise with your local electronics or CB center, as to restrictions, etc., concerning your radio.

More information, on other units will be forthcoming in future issues, to be published on a quarterly basis.

This book will not be found at a book store, but can be obtained through your local CB store or distributor, or by sending \$12.95 to:

Secret CB

P.O. Box 8189

Corpus Christi, Texas 78412

**IMPORTANT:**

Secret CB does not endorse any particular product or advertise any product.

The author shows pictures for information and reserves the right to market Secret CB's own inventions and products.



Secret CB

Notes from editor on Superior Mobile and Base Single Side-Band installations and performance techniques.

We recommend the AUDIO KING oil filled load or the K40 antenna on mobile installations, especially Single Side-Band. The K40 seems to be better on trunk mount installations and the AUDIO KING works better on "diesel rigs" "mirror mounts", etc.

The main problem mounting the AUDIO KING on the trunk is that the antenna is very heavy and there is no mount besides a ball mount available that will hold up.

The ROBYN, PRESIDENT, and COBRA Single Side-Band are in my opinion, superior and the best buy for the money today. Also any "UNIDEN CHASSIS" same as above, will outperform most Single Side-Band sets on both receive and transmit modes. The dual gate mosfet front ends on receive and the simplicity of modification to these units make them a fantastic unit and well worth the money.

In base station applications we recommend the same type of radios using the "BIG STICK" Shakespeare antenna. This antenna does not corrode as easily and has a high angle of radiation.

Mobile to mobile range using these radios in Single Side-Band is usually 30 to 45 miles in Side-Band in heavy skip conditions. Mobile to base is 45 to 90 miles depending on atmospheric conditions. These applications have worked with us. Hope they are helpful to you.



AIROMAR

CB7000.....I

ASTRO LINE (BOWMAN)

AM.....P

SSB.....D

AUDIOVOX

MCB-1000.....P

MCB-500.....P

BONSONIC

HCB-15.....P

BROWNING

Eaglette.....O

LTD.....H

SST.....I

Brownie.....F

CLARICON

Intruder.....P

Pirate.....P

Privateer.....P

30850.....P

COBRA

19.....J

20.....I

21.....J

23.....Special

24.....I

25.....I

28.....I

28A.....I

29.....J

85.....F

Cam 89.....J

130.....F

131.....F

132 old.....F

132A.....H

135 old.....F

135A.....H

138.....B

139.....B

880.....I

27.....Special

Cam 88.....Q

98.....Q

COURIER

Cadet.....J

Caravelle.....J

Centurion.....C

Chief.....P

Citation.....P

Classic II.....P

Comet.....P

Conqueror.....J

Classic III.....J

Cruiser.....P

Gladiator.....C

Ranger 23.....P

Rebel.....J

Redball.....P

Spartan.....G

Royale.....P

TR-23.....P

Traveller.....P

23T.....P

23S.....P

CRAIG

4201.....P

DEMCO

Demco Satellite.....P

ECHO

99.....J

FANON

Fan Fare 100.....J

Fan Fare 880.....J

SFT 400.....P

500.....P

800.....P

900.....P

GEMTRONICS

GTX23.....P

GTX36.....P

GTX2300.....J

GTX2325.....F

HY-GAIN

670.....J

671.....J

672.....J

673.....J

674.....A

674A.....K

674B.....K



JOHNSON

122 .....L  
 123 .....L  
 123A .....L  
 123B .....L  
 123SJ .....L  
 124 .....M  
 124M .....M  
 130 .....L  
 132 .....L  
 223 .....L  
 250 .....L  
 320 .....M  
 323 .....M  
 323A .....M  
 351 .....D  
 352 .....D

KRACO

KCB2310 .....J  
 KCB2330 .....L  
 2320 .....J  
 2345 .....J

KRIS

Valiant .....J  
 23 .....K  
 HC-25 .....P  
 23+ .....J  
 Victor .....O  
 Victor II .....O  
 Vega .....J  
 Echo 99er .....J  
 XL-23 .....P  
 XL-70 SSB .....F  
 Ventura .....P

LAFAYETTE

CCB-50 .....A  
 Comstat 25A .....J  
 Comstat 25B .....J  
 Mark V .....I  
 Mark VI .....I  
 Comstat 35 .....J  
 Comphone 23 .....P  
 HB-525 .....J  
 HB-700 .....P  
 SSB-100 .....K  
 Telstat 925 .....P  
 Telstat 100 .....K  
 LCB-50 .....A  
 Micro 723 .....P  
 SSB-25 .....K

LAFAYETTE (continued)

SSB-50 .....A  
 Telstat 23 .....J  
 Telstat 25 .....A  
 Telstat 1023 .....P  
 Telstat 75 .....K  
 Micro 923 .....N  
 525 .....J  
 625 .....J  
 Telstat 25A .....A

MARK

SSB-46 .....G  
 Lancer 23 .....I

MIDLAND

13-765 .....J  
 13-790 .....P  
 13-795 .....N  
 13-796 .....P  
 13-853 .....J  
 13-861 .....J  
 13-857 .....J  
 13-862 .....P  
 13-862B .....P  
 13-863 .....P  
 13-864 .....P  
 13-865 .....P  
 13-866 .....J  
 13-867 .....P  
 13-868 .....J  
 13-869 .....P  
 13-870 .....P  
 13-871 .....I  
 13-863B .....J  
 13-872 .....P  
 13-873 .....F  
 13-875 .....J  
 13-876 .....J  
 13-877 .....P  
 13-878 .....F  
 13-879B .....P  
 13-880 .....F  
 13-880B .....F  
 13-881B .....I  
 13-882 .....J  
 13-883 .....J  
 13-885 .....F  
 13-887 .....P  
 13-890 .....J



MIDLAND (continued)

13-892	.....K
13-893	.....B
13-894	.....A
13-895	.....B
13-896	.....A
13-897	.....P
13-898	.....A
13-898A	.....K
13-898B	.....A
13-899	.....P
13-976	.....K

PACE

123	.....P
123A	.....P
130	.....P
133	.....P
143	.....P
144	.....P
145	.....I
223	.....N or O
1000B	.....E
1000M	.....E
1023B	.....D
2376	.....O
2300	.....O
2300DX	.....O
CB-76	.....O
Sidetalk 101	.....D
SSB 1023	.....D
Sidetalk 23	.....F

PAL

Roadrunner	.....I
Coyote	.....I

PEARCE SIMPSON

Alleycat	.....I
Bearcat	.....P
Bengal	.....G
Bobcat	.....P
Bobcat 23D	.....I
Cheeta	.....C
Cougar old	.....J
Cougar new	.....P
Cougar 23B	.....P
Lynx	.....P
Panther	.....G
Puma	.....P
Puma 23B	.....P
Pussycat	.....P
Simba	.....C

PEARCE THOMPSON (continued)

Tiger 23C	.....P
Tiger	.....J
Tomcat	.....J
Tomcat (late)	.....I
Guardian	.....N
2301	.....P
Super Lynx	.....P

PENNYS

Pinto 23B	.....P
Golden Pinto	.....P
981-3445	.....A
981-6051	.....P
981-6075	.....P
981-6210A	.....P
981-6213	.....J
981-6220	.....P
981-6240	.....A
981-6060	.....P

RAY JEFFERSON

CB-405	.....P
CB-705	.....P

RAYTHEON

Ramcom III	.....I
------------	--------

REALISTIC

American 23	.....P
Mini 23	.....P
Navaho Pro	.....P
Pro 9er	.....P
TRC 40	.....P
TRC 23A	.....P
TRC 23B	.....P
TRC 23C	.....P
TRC 24	.....P
TRC 24B	.....P
TRC 24C	.....J
TRC 25	.....P
TRC 30	.....J
TRC 46	.....A
TRC 47	.....K
TRC 48	.....K
TRC 49	.....P
TRC 52	.....J
TRC 55	.....N
TRC 50	.....P



REGENCY

Formula 23.....J  
 Sprint 23.....P  
 CR-123.....G  
 CR-123B.....G  
 CR-185.....P  
 CR-142.....P  
 CR-186.....P  
 CR-230.....P  
 CR-202.....J

ROBYN

747B.....F  
 BB123.....P  
 GT-7.....P  
 J-123.....P  
 LB-23.....P  
 SX-101.....P  
 SX-102.....P  
 T-123B.....J  
 XL-1.....P  
 XL-2.....P  
 GTX-440.....Special  
 TR-123C.....P  
 DG-30.....P  
 WV-23.....P  
 SX-007.....P  
 K-123.....P

ROYCE

1-600.....P  
 1-601.....P  
 1-602.....P  
 1-603.....P  
 1-605.....P  
 1-606.....P  
 1-620.....P  
 SSB 1-630.....Q  
 SSB 1-631.....Q  
 SSB 1-635.....Q  
 SSB 1-640.....Q  
 SSB 1-650.....K

SBE

Catalina I & II.....P  
 Console.....F  
 Coronado.....I  
 Coronado II.....I  
 Brute.....P

SBE (continued)

Catalina.....I  
 Cortez.....I  
 SBE-6.....F  
 SBE-12.....D  
 SBE-16 Console II.....D  
 SBE CB 8.....F  
 SBE CB 14.....F  
 Sidebander II.....D  
 Sidebander III.....D  
 Sierra.....J  
 Trinidad.....P  
 7 CB.....J  
 9 CB.....P  
 10 CB.....I  
 11 CB.....P  
 21 CB.....I  
 22 CB.....P

SEARS

Sears Sideband.....A

SHARPE

CBT 58.....J  
 CBT 500.....J  
 CB 550.....J  
 CB 500 UB.....P

SILTRONIX

SSB-23.....F  
 Albatross.....F  
 Condor.....P  
 Penguin.....P

SONAR

FS-23.....R  
 FS-3023.....R

SURVEYOR

2400.....P

TEABERRY

5x5.....P  
 Big T.....P  
 T Charlie One.....J  
 Mighty T.....J  
 Golden 5x5.....J  
 T Scout.....J  
 Tele T.....J  
 Model T.....J



TEABERRY (continued)

Twin T .....S  
 T Control .....J

TRAM

Diamond 40 .....I  
 Diamond 60 .....H  
 XL-5 .....D  
 XL .....F

UNIMETRICS

Porpoise I .....P

XTAL

XCB-4 .....P  
 XCB-5 .....P  
 XCB-6 .....P  
 XCB-7 .....P  
 XCB-10 .....F  
 XCB-11 .....F  
 XCB-12 .....P

LEGEND

27.605.....	27.605 RC 27.585 27.575 27.565	22A.....	22A-27.235 22B-27.245 23 27.275
27.555.....	27.555 RC 27.535 27.525 27.515	26.955.....	26.955 RC 26.935 26.925 26.915
27.505.....	27.505 RC 27.485 27.475 27.465	26.905.....	26.905 RC 26.885 26.875 26.865
27.455.....	27.455 RC 27.435 27.425 27.415	26.855.....	26.855 RC 26.835 26.825 26.815
27.355.....	27.355 RC 27.335 27.325 27.315	26.805.....	26.800 RC 26.780 26.770 26.760
27.305.....	27.305 RC 27.285 27.275 27.265		



### LETTER CHART FOR CRYSTAL FREQUENCY CORRELATION

CRYSTAL FREQUENCY	<u>A</u>	OPERATING FREQUENCY	CRYSTAL FREQUENCY	<u>C</u>	OPERATING FREQUENCY
7.9767		27.605*	11.600		27.605*
7.9600		27.555*	11.550		27.555*
7.9434		27.505*	11.500		27.505*
7.9267		27.455*	11.450		27.455*
7.9100		27.405*	11.400		27.405*
7.8933		27.355*	11.350		27.355*
7.8766		27.305*	11.300		27.305*
7.8666		27.275*	11.270		27.275*
7.7600		26.955*	10.950		26.955*
7.7433		26.905*	10.900		26.905*
7.7267		26.855*	10.850		26.855*
7.7100		26.805*	10.800		26.805*
7.7083		26.800*	10.795		26.800*

CRYSTAL FREQUENCY	<u>B</u>	OPERATING FREQUENCY	CRYSTAL FREQUENCY	<u>D</u>	OPERATING FREQUENCY
8.759		27.605*	12.300		27.605*
8.709		27.555*	12.250		27.555*
8.659		27.505*	12.200		27.505*
8.609		27.455*	12.150		27.455*
8.559		27.405*	12.100		27.405*
8.509		27.355*	12.050		27.355*
8.459		27.305*	12.000		27.305*
8.429		27.275*	11.970		27.275*
8.109		26.955*	11.650		26.955*
8.059		26.905*	11.600		26.905*
8.009		26.855*	11.550		26.855*
7.959		26.805*	11.500		26.805*
7.954		26.800*	11.495		26.800*

*\*The frequencies marked by an asterisk are for reference purposes only. Any use of these frequencies to extend the 11 meter band is prohibited by law.*



## LETTER CHART FOR CRYSTAL FREQUENCY CORRELATION

CRYSTAL FREQUENCY	<u>E</u>	OPERATING FREQUENCY	CRYSTAL FREQUENCY	<u>G</u>	OPERATING FREQUENCY
12.340		27.605*	12.405		27.605*
12.290		27.555*	12.355		27.555*
12.240		27.505*	12.305		27.505*
12.190		27.455*	12.255		27.455*
12.140		27.405*	12.205		27.405*
12.090		27.355*	12.155		27.355*
12.040		27.305*	12.105		27.305*
12.010		27.275*	12.075		27.275*
11.690		26.955*	11.755		26.955*
11.640		26.905*	11.705		26.905*
11.590		26.855*	11.655		26.855*
11.540		26.805*	11.605		26.805*
11.535		26.800*	11.600		26.800*

<u>F</u>	OPERATING FREQUENCY	CRYSTAL FREQUENCY	<u>H</u>	OPERATING FREQUENCY
12.305	27.605*	16.565		27.605*
12.255	27.555*	16.515		27.555*
12.205	27.505*	16.465		27.505*
12.155	27.455*	16.415		27.455*
12.105	27.405*	16.365		27.405*
12.055	27.355*	16.315		27.355*
12.005	27.305*	16.265		27.305*
11.975	27.275*	16.235		27.275*
11.655	26.955*	15.915		26.955*
11.605	26.905*	15.865		26.905*
11.555	26.855*	15.815		26.855*
11.505	26.805*	15.765		26.805*
11.500	26.800*	15.760		26.800*

*\*The frequencies marked by an asterisk are for reference purposes only. Any use of these frequencies to extend the 11 meter band is prohibited by law.*



## LETTER CHART FOR CRYSTAL FREQUENCY CORRELATION

CRYSTAL FREQUENCY	<u>I</u>	OPERATING FREQUENCY	CRYSTAL FREQUENCY	<u>K</u>	OPERATING FREQUENCY
17.465		27.505*	23.930		27.605*
17.415		27.455*	23.880		27.555*
17.365		27.405*	23.830		27.505*
17.315		27.355*	23.780		27.455*
17.265		27.305*	23.730		27.405*
17.235		27.275*	23.680		27.355*
16.915		26.955*	23.630		27.305*
16.865		26.905*	23.600		27.275*
16.815		26.855*	23.280		26.955*
16.765		26.805*	23.230		26.905*
16.760		26.800*	23.180		26.855*
			23.130		26.805*
			23.125		26.800*

	<u>J</u>		<u>L</u>	
23.790		27.505*	33.200	27.505*
23.740		27.455*	33.150	27.455*
23.690		27.405*	33.100	27.405*
23.640		27.355*	33.050	27.355*
23.590		27.305*	33.000	27.305*
23.560		22A *	32.970	27.275*
23.240		26.955*	32.650	26.955*
23.190		26.905*	32.600	26.905*
23.140		26.855*	32.550	26.855*
23.090		26.805*	32.500	26.805*
23.085		26.800*	32.495	26.800*

*\*The frequencies marked by an asterisk are for reference purposes only. Any use of these frequencies to extend the 11 meter band is prohibited by law.*



## LETTER CHART FOR CRYSTAL FREQUENCY CORRELATION

CRYSTAL FREQUENCY	<u>M</u>	OPERATING FREQUENCY	CRYSTAL FREQUENCY	<u>O</u>	OPERATING FREQUENCY
33.345		27.505*	35.471		27.505*
33.295		27.455*	35.421		27.455*
33.245		27.405*	35.371		27.405*
33.195		27.355*	35.321		27.355*
33.145		27.305*	35.271		27.305*
33.115		27.275*	35.241		27.275*
32.795		26.955*	34.921		26.955*
32.745		26.905*	34.871		26.905*
32.695		26.855*	34.821		26.855*
32.645		26.805*	34.771		26.805*
32.640		26.800*	34.766		26.800*

<u>N</u>	OPERATING FREQUENCY	CRYSTAL FREQUENCY	<u>P</u>	OPERATING FREQUENCY
33.500	27.505*	38.100		27.505*
33.450	27.455*	38.050		27.455*
33.400	27.405*	38.000		27.405*
33.350	27.355*	37.950		27.355*
33.300	27.305*	37.900		27.305*
33.270	27.275*	37.870		22A *
32.950	26.955*	37.550		26.955*
32.900	26.905*	37.500		26.905*
32.850	26.855*	37.450		26.855*
32.800	26.805*	37.400		26.805*
32.795	26.800*	37.395		26.800*

*\*The frequencies marked by an asterisk are for reference purposes only. Any use of these frequencies to extend the 11 meter band is prohibited by law.*



# SPECIFIC RADIO MODIFICATIONS



40 CHANNEL INCREASE  
AND CLARIFIER SLIDE  
(1.5 Kz up 4.5 Kz down)

PRESIDENT ADAMS

- 1.) Remove top and bottom covers.
- 2.) Clip D30, R119, and D32 from CKT.
- 3.) Unsolder R-162 and remove from CKT.
- 4.) Replace R-162 (4.7K ohm) with a 1K ohm.
- 5.) Turn set over with front facing you.
- 6.) Locate IC7 in FRH corner of PC board.  
Isolate Pin #19 from ground by cutting around it as shown in diagram.
- 7.) Solder 1 lead of a 6" piece of speaker wire to Pin #19 of IC7 and the other lead to ground. Let other end of wires hang free for future use.
- 8.) Make a power jump from C-135 pos. side to C-110 pos. side on PC board.
- 9.) Trace the violet/white wire from the clarifier pot to the PC board. Unsolder the wire and move it to ground on the PC board.
- 10.) Locate small PG board directly behind PA/CB switch. This switch will be used to obtain the additional channels.
- 11.) Solder end of speaker wire (from Step 7) 1 lead to each of the pins shown in the diagram.
- 12.) TUNE: VR7 for AM Mod.  
L37, L32, and L30 for AM xmt pwr.  
VR8 for AM max. pwr.  
CT7 for SB pwr.



## PRESIDENT GRANT

Locate  
4.68 Volt Power Supply  
Source

To Pin 18  
on IC UPD858C

1. 26.365 MHz
2. 26.375 MHz
3. 26.385 MHz
4. 26.405 MHz
5. 26.415 MHz
6. 26.425 MHz
7. 26.435 MHz

4.68 Volts to Pin 19+18

1. 26.765 MHz
2. 26.775 MHz
3. 26.785 MHz
4. 26.805 MHz
5. 26.815 MHz
6. 26.825 MHz
7. 26.835 MHz

## HIGH FREQUENCY CONVERSION

4.68 Volts to 20+21

- |                |                |                |
|----------------|----------------|----------------|
| 1. 27.965 MHz  | 11. 27.885 MHz | 21. 28.015 MHz |
| 2. 27.975 MHz  | 12. 27.915 MHz | 22. 28.025 MHz |
| 3. 27.985 MHz  | 13. 27.915 MHz | 23. 27.255 MHz |
| 4. 28.005 MHz  | 14. 27.925 MHz | 24. 28.035 MHz |
| 5. 28.015 MHz  | 15. 27.935 MHz | 25. 28.045 MHz |
| 6. 28.025 MHz  | 16. 27.955 MHz | 26. 27.265 MHz |
| 7. 28.035 MHz  | 17. 27.965 MHz |                |
| 8. 27.855 MHz  | 18. 27.975 MHz |                |
| 9. 27.865 MHz  | 19. 27.985 MHz |                |
| 10. 27.875 MHz | 20. 28.005 MHz |                |



INSTRUCTION SHEET FOR  
SUPER EARS  
KIT FITS PRESIDENT GRANT  
(RF GAIN CONTROL KIT)

\*THIS IS NOT A PRODUCT OF PRESIDENT RADIO. ALSO ANY MODIFICATIONS OF YOUR RADIO MAY VOID WARRANTY.

- STEP A Remove top and bottom covers.  
 STEP 1 Remove front panel by removing two screws on each and all knobs.  
 STEP 2 Remove nut off dimmer control and unsolder orange, green and white wires. Discard control and install new volume pot 100K ohm (supplied) in its place. (THIS WILL BE THE NEW RF GAIN CONTROL.)  
 STEP 3 Turn radio upside down and locate PC board (PC-220AA) on which the local distance NB; PA & CB are mounted on. Cut the pink-white and orange-white wires away from the switch connector. See Fig. A.  
 STEP 4 Pull plug up off connector. Bend down 1st three male contacts on left side. See Fig. A.  
 STEP 5 Then replace plug on connector.  
 STEP 6 Connect white wire to terminal where pink/white wire was. Connect green wire to second terminal where orange/white wire was. Connect orange wire to third terminal.  
 STEP 7 Solder 50K trimer resistor (supplied) between 1st and 3rd wires. Adjust control to desired DIMNESS with the switch button "in". With switch out (DX POS.) you will have maximum brightness.  
 STEP 8 Solder ground wire from PC board ground to 3rd pin on 100K (NEW RF GAIN) control. Solder orange/white wire to center terminal (PIN.2) Solder pink/white wire to 1st pin or top pin look down into CB with CB right side up. See Fig. B.  
 STEP 9 Replace front panel, screws and knobs. Replace top and bottom covers.

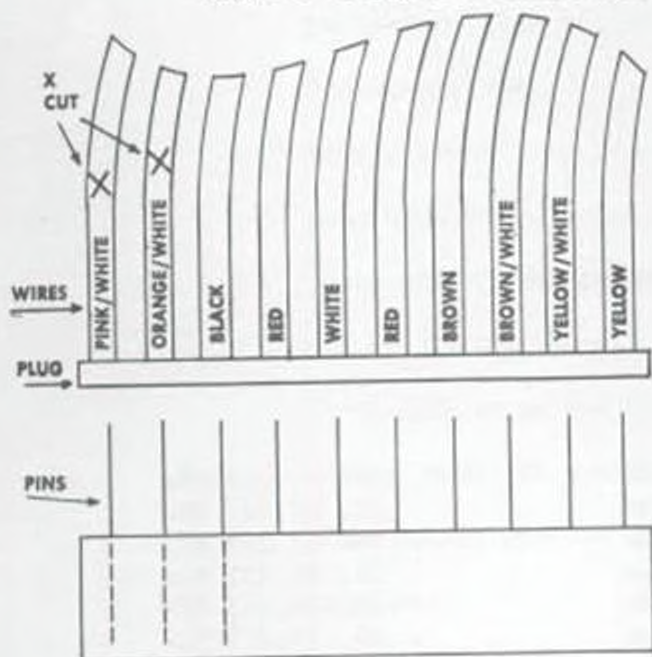


FIG. A

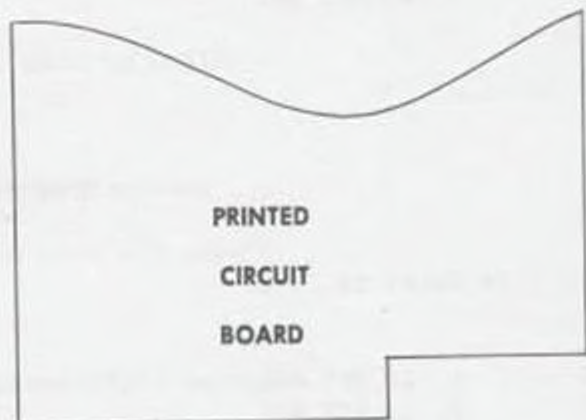
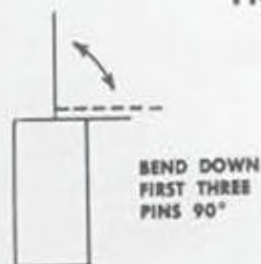
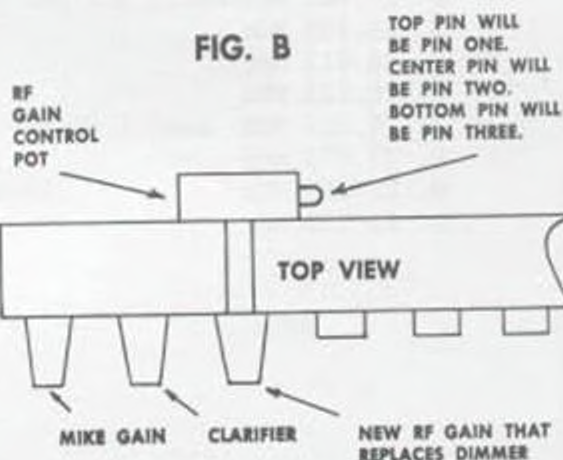


FIG. B

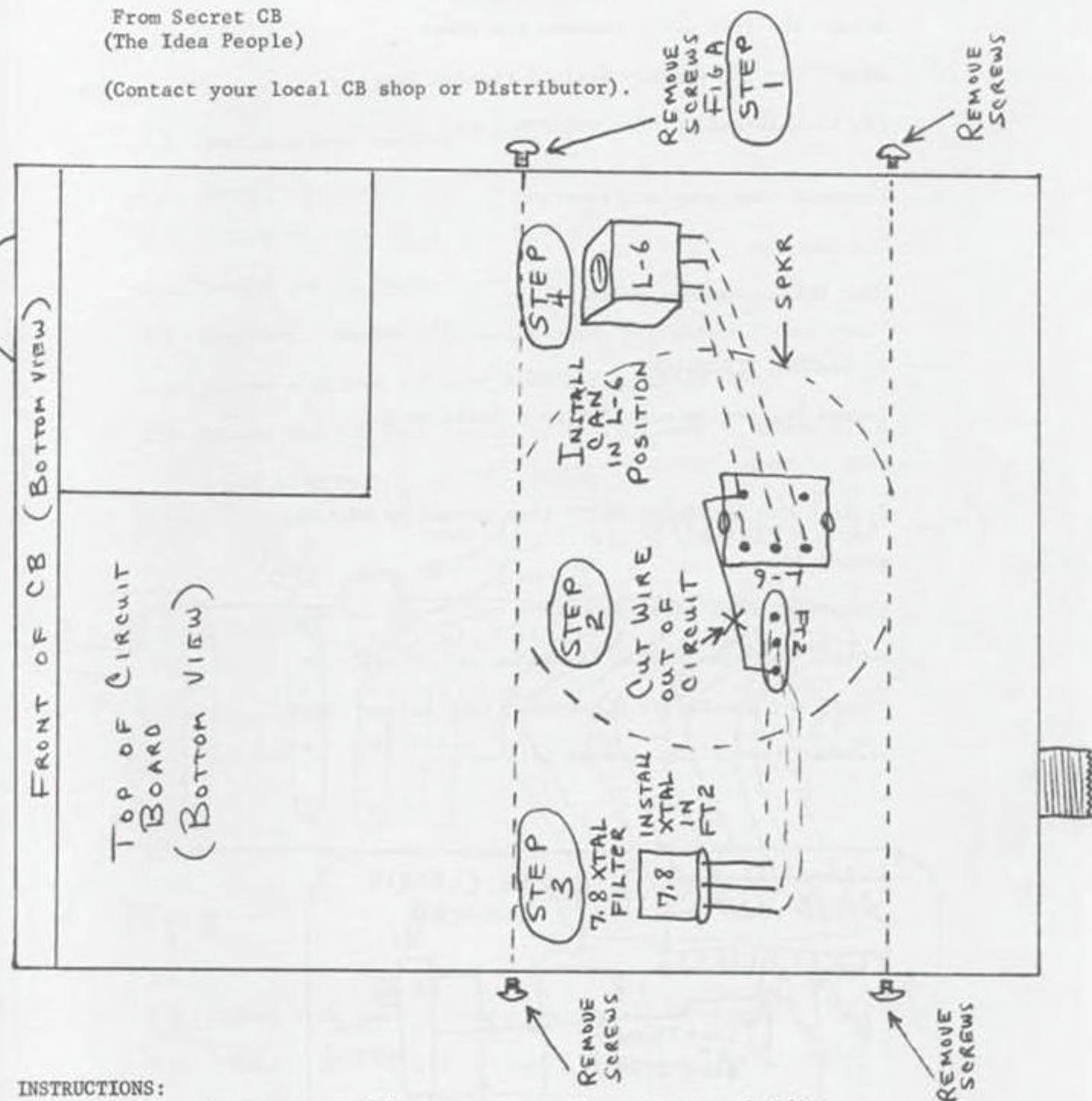




From Secret CB  
(The Idea People)

(Contact your local CB shop or Distributor).

CHANNEL  
SELECTOR



INSTRUCTIONS:

- Step 1.- Remove top and bottom covers. Remove screws holding speaker and bracket (Fig. A).
- Step 2.- Cut wire from FT2 to L-6.
- Step 3.- Install 7.8 crystal filter (supplied).
- Step 4.- Install can (supplied)
- Step 5.- Inject 27.205 (Ch.20) and adjust L-6 for maximum sensitivity. Inject at antenna.

NOTE: If no signal generator is available, tune L-6 for maximum noise. Use GC tuning tool #9440.



Adjust VR7 (SSB ALC)- Maximum SSB power.

Adjust VR6 (AM power)- Maximum carrier level.

L8, L7, L10- Adjust for maximum power.

Transmit clarifier modification

Cut out D24

Move R61 to cathode of D32

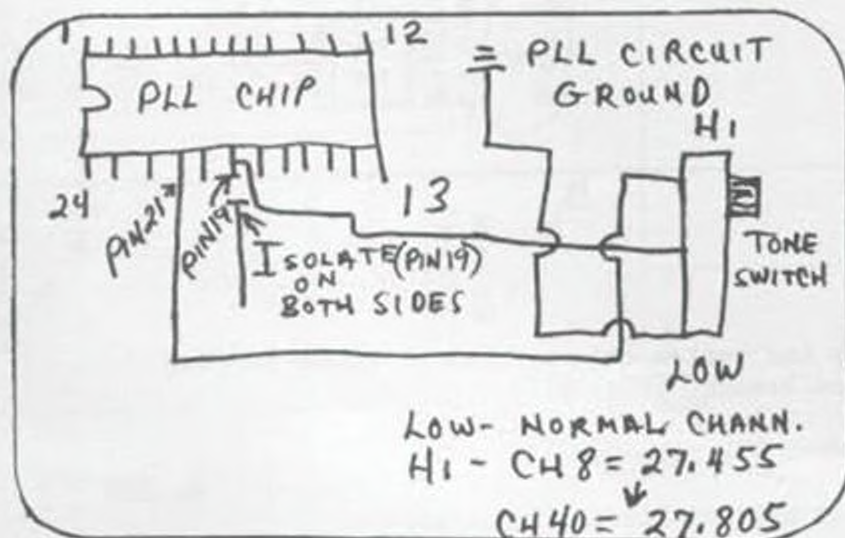
32 CHANNEL EXPANSION

Remove PLL box by unsoldering 6 lands on foil side of board.

Isolate Pin 19 of PLL D858C from ground by cutting around it

Disconnect both wires from tone switch and isolate.

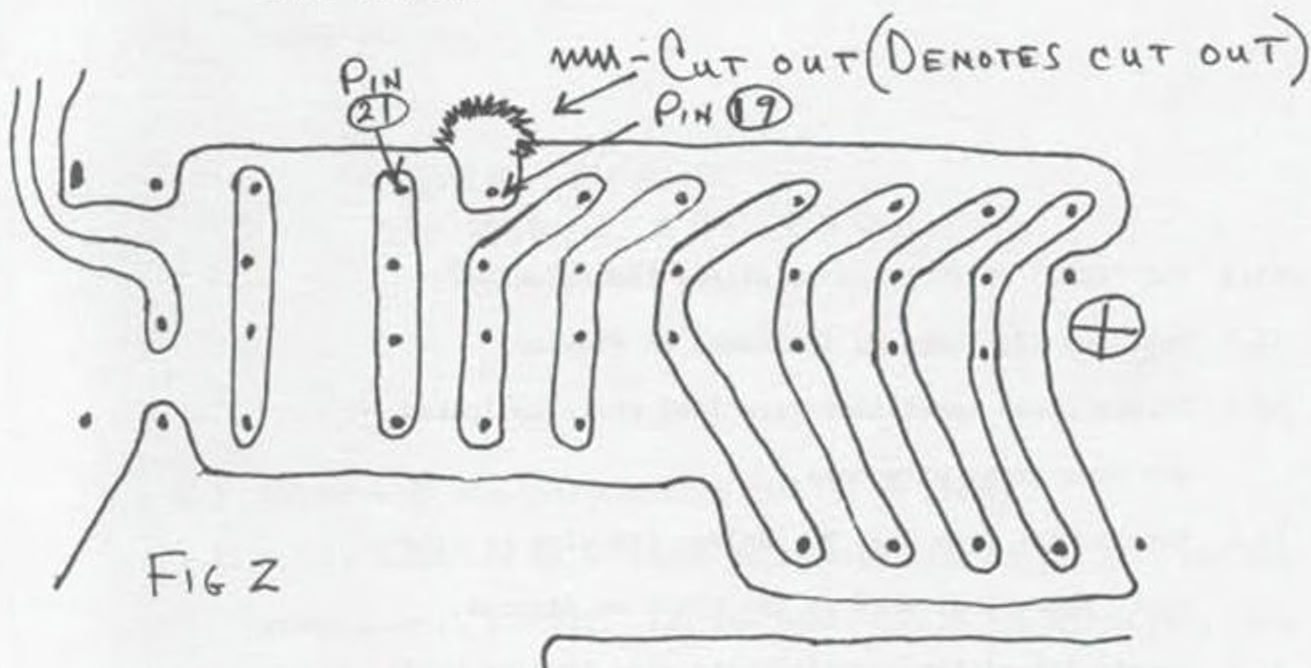
Connect one wire to Pin 21 of PLL and one wire to Pin 19 and another to PLL ground (any solder joint attached to PLL box wire as follows):





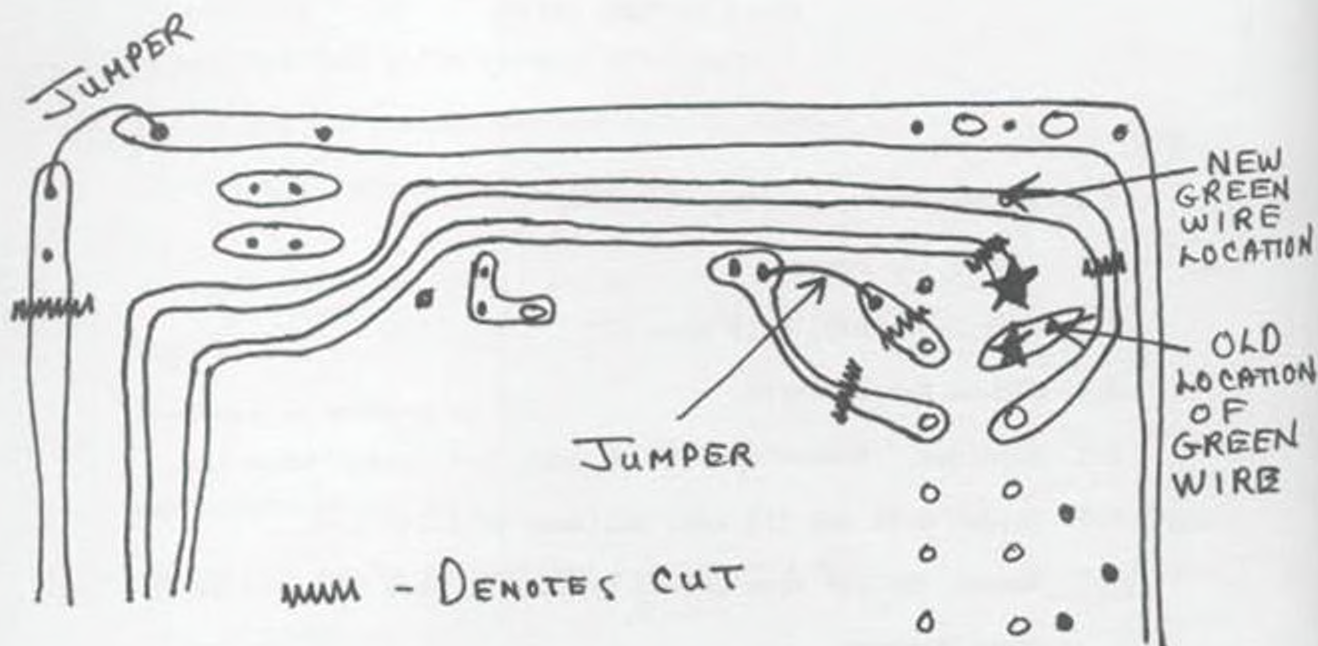
## STEPS:

- 1.) Remove screws holding top cover.
- 2.) Remove top cover.
- 3.) Clip D-32, D30, R119 from CKT.
- 4.) Remove bottom cover.
- 5.) Unsolder. Remove R162 (4.7K ohm), but retain later use.
- 6.) Solder a 1K ohm 1/8 watt resistor in R-162 spot.
- 7.) Remove Pin #19 from ground by cutting away PC board as in lower diagram.



- 8.) Solder 4.7K ohm resistor from Pin #19 to ground.
- 9.) Solder 1 lead of a 8" piece of speaker wire to Pin #19, and the other lead to Pin #21. Let the other end of the wires hang free for future use.
- 10.) Trace the violet wire on the clarifier to the PC board and move it to ground.
- 11.) Make power jump from C-135 (pos. side) to C-110 (pos. side) on PC board.
- 12.) Locate small PC board directly behind CB-PA switch.





- 13.) Cut "Land" on PC board in places indicated by.
- 14.) Make two (2) jumps as indicated on diagram.
- 15.) Scrape green insulation from land where indicated and move green wire here.
- 16.) Locate wire from Step 9. Solder the wire to pins on PC board indicated by two STARS on diagram.
- 17.) Locate (1) violet and (1) white wire leading to PA-CB switch on top of board. Clip these wires and splice them together.
- 18.) TUNE: VR-6 for SSB Mod.  
VR-7 for AM Mod.  
PEAK: L37, L32, L30, for AM  
VR-8 AM Power out  
CT7 SSB Power



- 1.) Remove screws holding top cover on.
- 2.) Remove top cover.
- 3.) Clip D-32, D-30, and R-119 from circuit.
- 4.) Remove bottom cover.
- 5.) Unsolder and remove R-162, (4.7K ohm), but retain for later use.
- 6.) Solder a 1K ohm 1/8 watt resistor in R-162 spot.
- 7.) Remove pin #19 from ground, by cutting away P.C. board as in lower diagram.

SEE FIG. Z  
ON ROBYN SB-520 D  
CONVERSION

- 8.) Solder 4.7K ohm resistor from pin #19 to ground.
- 9.) Solder 1 lead of an 8" piece of speaker wire to pin #19, and the other lead to pin #21. Let the other end of the wires hang free for future use.
- 10.) Trace the violet/white wire on the clarifier to the P.C. board. Unsolder the wire from the board and move it to ground, if not already connected to ground.
- 11.) Make power jump from C-135 positive side to C-110 positive side on P.C. board.
- 12.) Locate P.C. board #PC-220AA directly behind CB-PA switch.



- 13.) On J409 of PC-22AA, clip all 5 wires from connector, and perform the following:

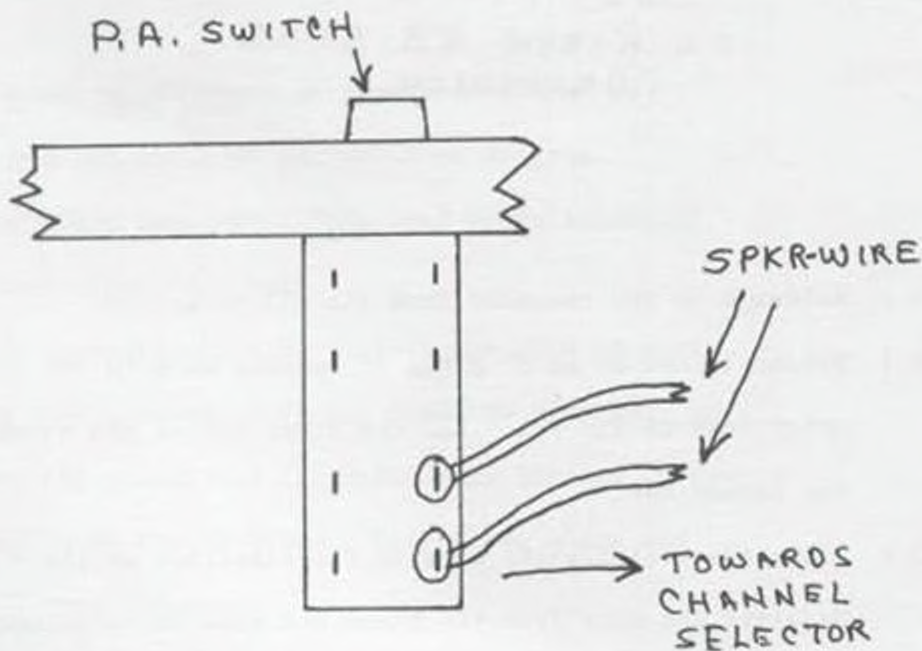
Splice together the white and violet wires.

Splice together the black/white and brown wires.

Leave the violet/white wire open.

- 14.) On J408 of the same board, clip brown/white and yellow/white wires and splice them together. Also clip the yellow wire and leave it open.

- 15.) Connect the loose ends of the speaker wire used in step #9 to the CB/PA switch as indicated below.



BOTTOM VIEW



SB-510D pull Local switch

Ignition systems and the noise they produce vary greatly in the amplitude and duration due to the various types of auto and truck ignition systems. The noise blanker can be tailored to the vehicle in which it is installed by an adjustment of the noise blanker.

If excessive noise is experienced after the radio has been installed with the noise blanker and engine on, follow the steps below:

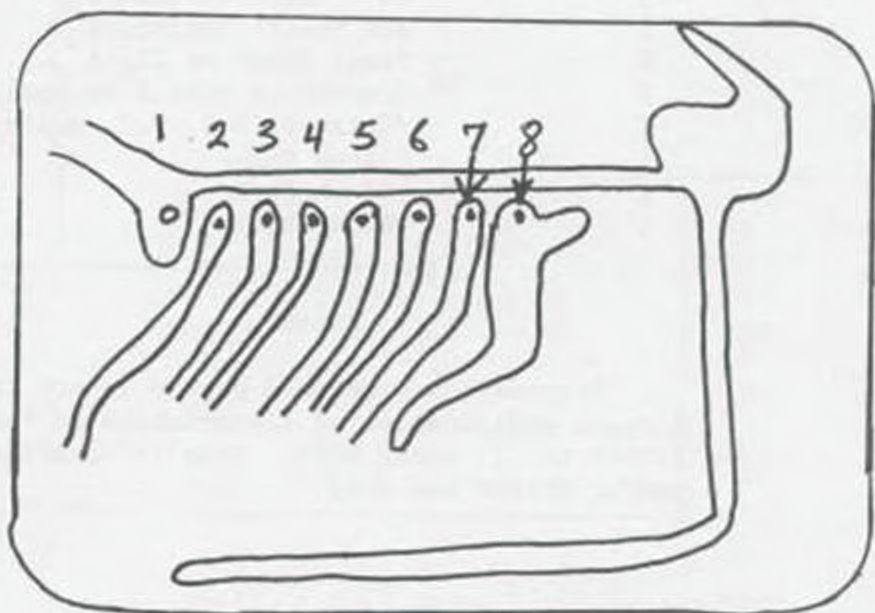
1. Remove case screws and covers of radio.
2. Locate L1 and L2, see drawing supplied.
3. With engine, radio and noise blanker on, carefully adjust L1 and the two slugs of L2 for minimum noise with non-metallic screwdriver.
4. Replace case and screws.

It has been noted by many users of the SB-510D that the local switch degrades the receiver performance too much, limiting the receive range to only a short distance. This can be easily corrected by the adjustment of VR2 which is located near relay #1. The amount of attenuation in the local position can be adjusted by this control. (see reverse side)





- |     |        |     |        |
|-----|--------|-----|--------|
| 1)  | 26.645 | 26) | 26.625 |
| 2)  | 26.655 | 27) | 26.635 |
| 3)  | 26.665 | 28) | 26.645 |
| 4)  | 26.685 | 29) | 26.655 |
| 5)  | 26.695 | 30) | 26.665 |
| 6)  | 26.705 | 31) | 26.675 |
| 7)  | 26.715 | 32) | 26.685 |
| 8)  | 26.735 | 33) | 26.695 |
| 9)  | 26.745 | 34) | 26.705 |
| 10) | 26.435 | 35) | 26.715 |
| 11) | 26.445 | 36) | 26.725 |
| 12) | 26.465 | 37) | 26.735 |
| 13) | 26.475 | 38) | 26.745 |
| 14) | 26.485 | 39) | 27.395 |
| 15) | 26.495 | 40) | 27.405 |
| 16) | 26.515 |     |        |
| 17) | 26.525 |     |        |
| 18) | 26.535 |     |        |
| 19) | 26.545 |     |        |
| 20) | 26.565 |     |        |
| 21) | 26.575 |     |        |
| 22) | 26.585 |     |        |
| 23) | 26.615 |     |        |
| 24) | 26.595 |     |        |
| 25) | 26.605 |     |        |





MODIFICATIONS FOR

SBE CONSOLE V, CONSOLE IV AND NEW MODELS, AND SIDEBANDER II

PAGES A. THRU M.

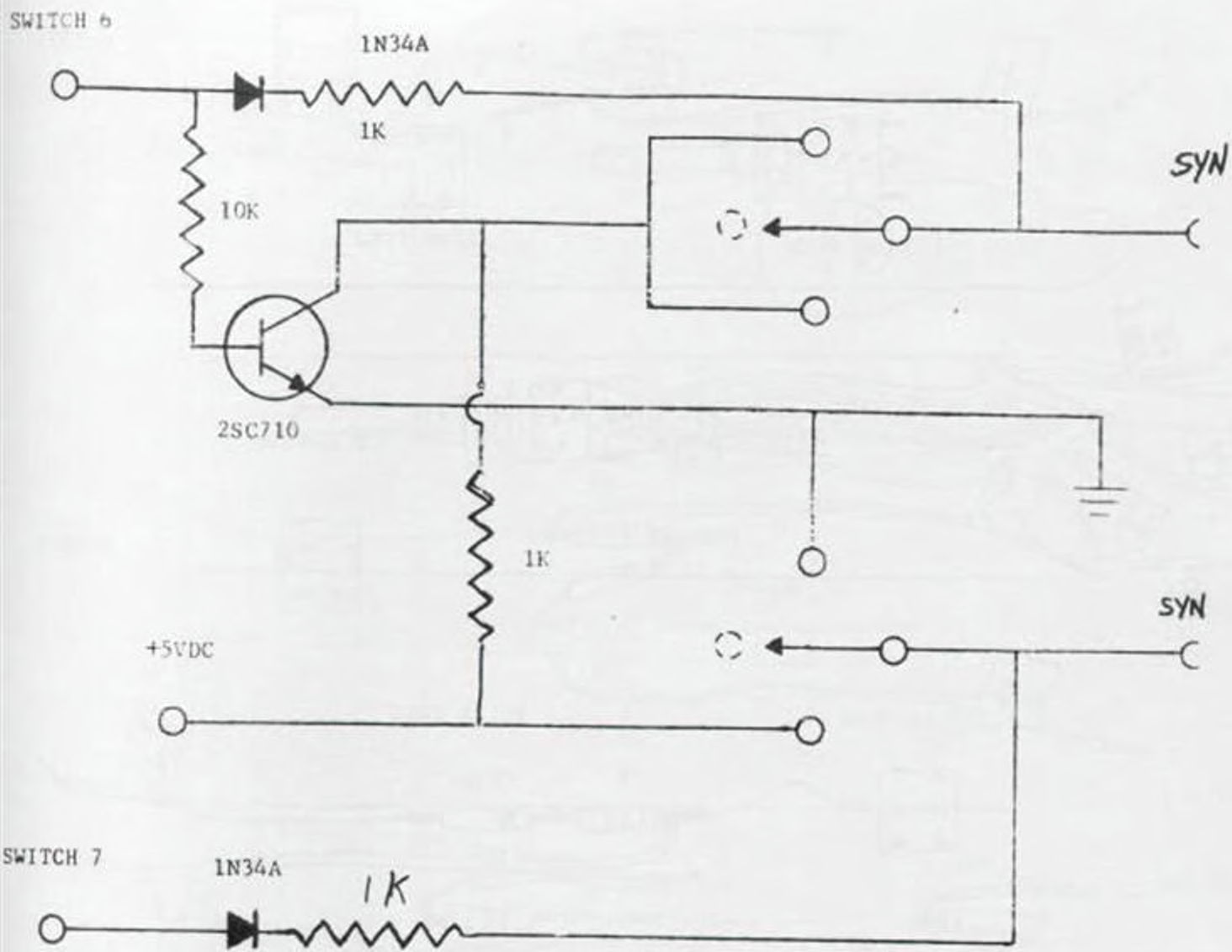
- 1- Make your TX. work for max. power (30 to 50 pep)
- 2- Make a slider + 12 KC - 10 KC
- 3- Make your clarifier work on TX.
- 4- Change modifications in excess of 60 channels.

Parts needed:

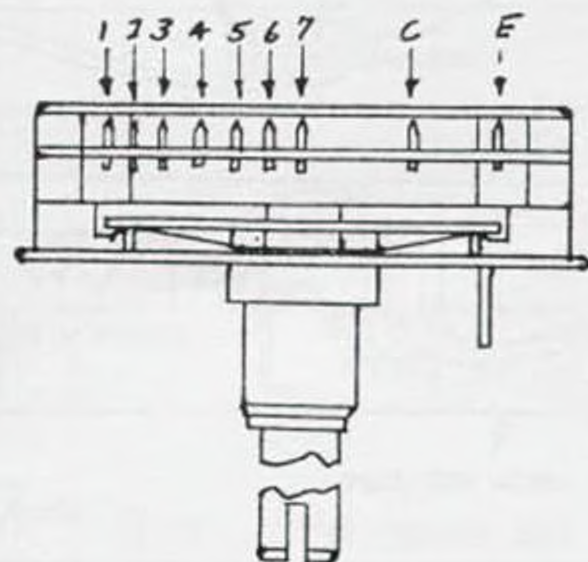
Amount	Part
3	1K * 1/2 watt resistors
1	10K * 1/2 watt resistors
2	Diode 1N60P or 1N34A
1	Transistor 2SC710 or Equiv.
1	Miniature D.P.-D.T. center off switch
1	8.2 uh Choke
1	470 uh Choke
1	1S2688 Diode

Caution

Information contained herein is not to be used for illegal modification of transmitters in the United States within the 11 meter band. This information is for AMATEUR and/or EXPORT use only.



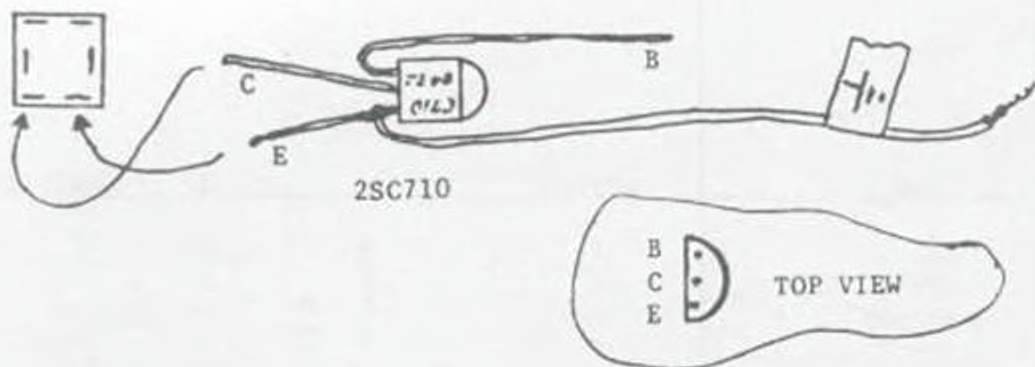
SWITCH SCHEMATIC



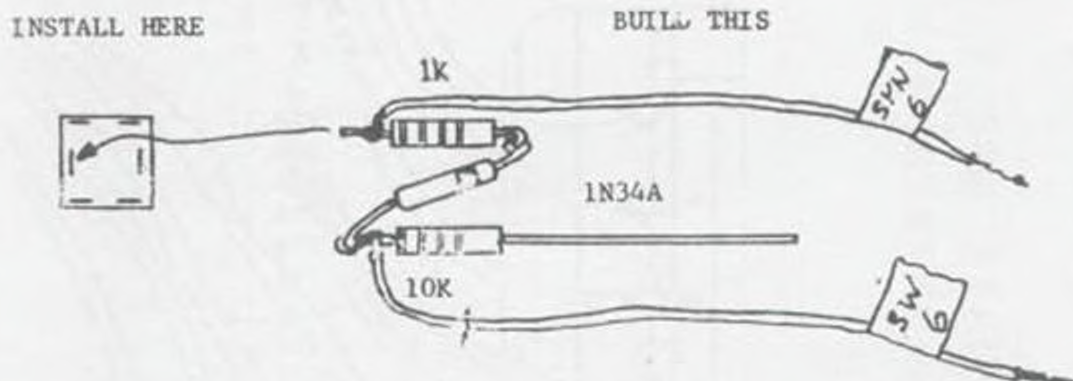




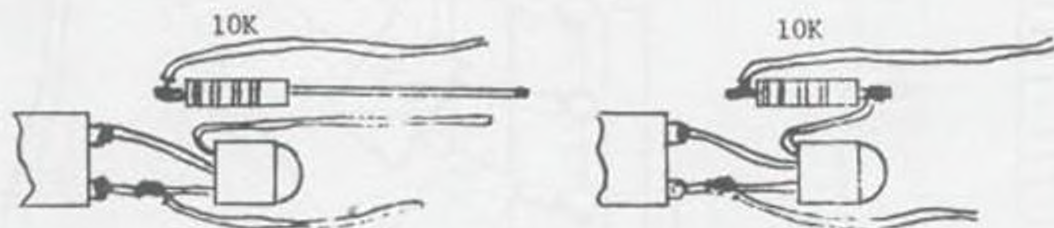
STEP 4



STEP 5

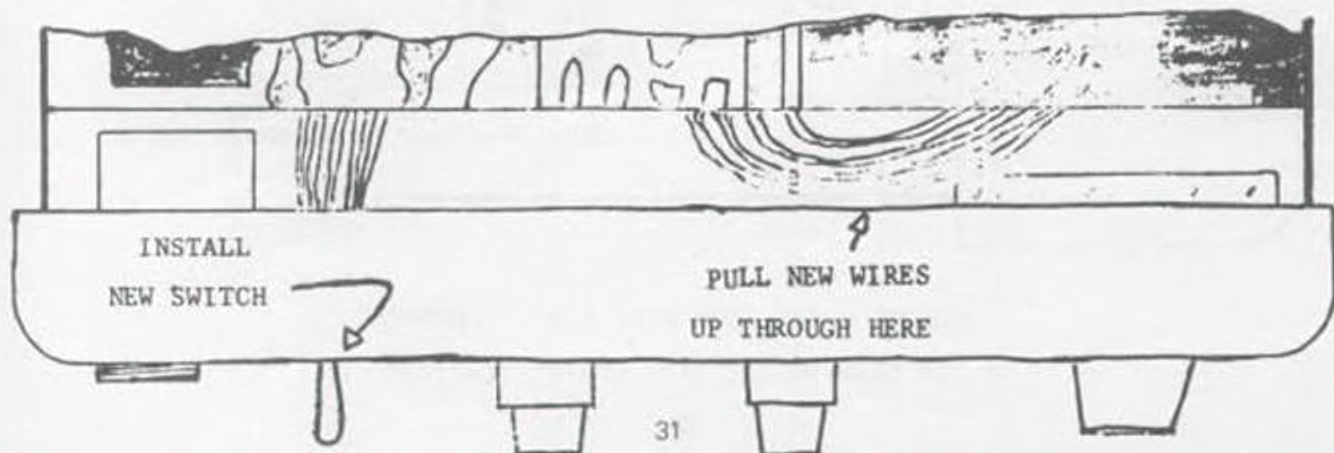


STEP 6



CONNECT 2SC710 BASE TO 10K RESISTOR

SWITCH COMPLETE









## CHANNEL SWITCH

## UP

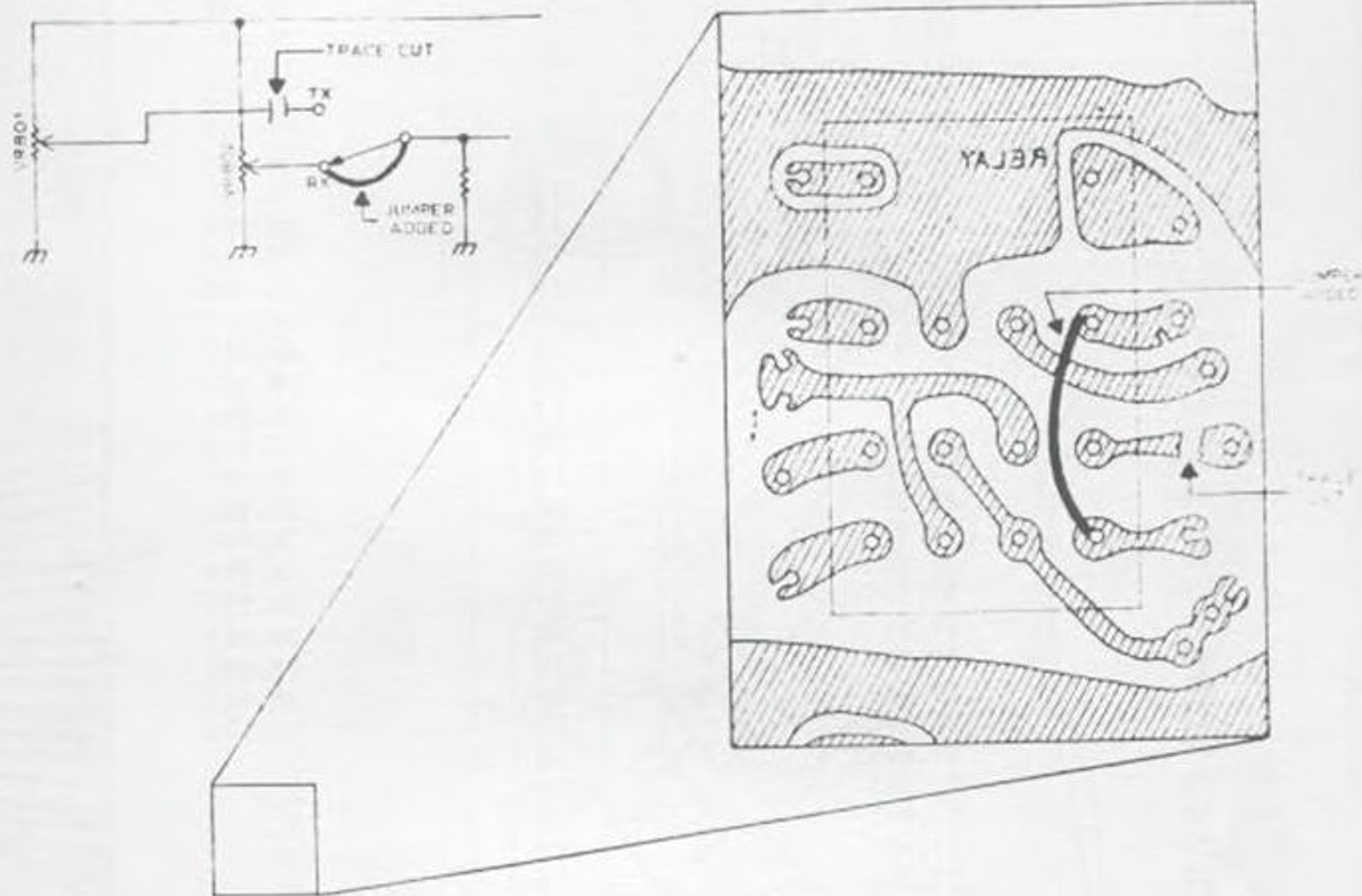
## CENTER

## DOWN

1	28	1	26.645
2	29	2	26.655
3	30	3	26.665
4	32	4	26.685
5	33	5	26.695
6	34	6	26.705
7	35	7	26.715
8	37	8	26.735
9	38	9	26.745
10	39	10	26.755
11	40	11	26.765
12	27.425	12	26.785
13	27.435	13	26.795
14	27.445	14	26.805
15	27.455	15	26.815
16	27.475	16	26.835
17	27.485	17	26.845
18	27.495	18	26.855
19	27.505	19	26.865
20	27.525	20	26.885
21	27.535	21	26.895
22	27.545	22	26.905
23	27.575	23	26.935
24	27.555	24	26.915
25	27.565	25	26.825
26	27.585	26	26.945
27	27.595	27	26.955
28	27.605	28	1
29	27.615	29	2
30	27.625	30	3
31	27.635	31	3A
32	27.645	32	4
33	27.655	33	5
34	27.665	34	6
35	27.675	35	7
36	27.685	36	7A
37	27.695	37	8
38	27.705	38	9
39	27.715	39	10
40	27.725	40	11



1. How to make clarifier work on IX.



2. How to peak TX for maximum output. Refer: Fig. #3. PAGE J

Select mode USB or LSB. Do not use AM. Select channel 19. Turn ALC adjustment to maximum clockwise (viewed from radio front). Whistle into microphone or inject 20mV @ 2.4KHz into microphone jack. Peak #1, #2, and #3 for maximum output. Should be between 16 and 25 watts. (32 to 50 watts PEP input). Rotate all adjustments counter clockwise until a 3 to 4 watt decrease is reached.

Note: If all is not adjusted for a 3 to 4 watt decrease, severe SSB distortion will result.

Do not attempt to peak on AM. Low SSB output will result.



## SBE-39CB SIDEBANDER V AND SBE-40CB CONSOLE V

Modification of the Sidebander V/Console V for additional channels is identical to that of the Sidebander IV with the exception of the circuit connection points of the additional switch which is required.

Modification of the Sidebander V/Console V is as follows:

1. Wire switch as shown on pages C - E.
2. Remove PLL shield cover in radio. Remove PLL PC board from shield box.
3. Locate and unsolder the blue and violet wires connected to the main PC board. With the radio facing you, the wires are located on the left end of the M58476 IC on the main PC board. There are seven wires there numbered 1 thru 7.
4. Referring to the switch drawing on page E, the connection labeled SYN6 should be soldered to the blue wire removed in step 3. The wire labeled SYN7 should be soldered to the violet wire removed in step 3.
5. The wire labeled switch 6 should be soldered to the point on the main PC board where the blue wire in step 3 was removed from. The wire labeled switch 7 should be soldered to the point on the main PC board where the violet wire in step 3 was removed from.
6. Locate on main PC board, positive lead of capacitor C818, 47mfd @ 16VDC. This is the 5VDC bus for UP/DOWN unit. Lead from switch marked + 5VDC should be soldered to this point.

This completes modification of the Sidebander V/Console V. Any additional modifications listed for the Sidebander IV also apply to the Sidebander V/Console V.



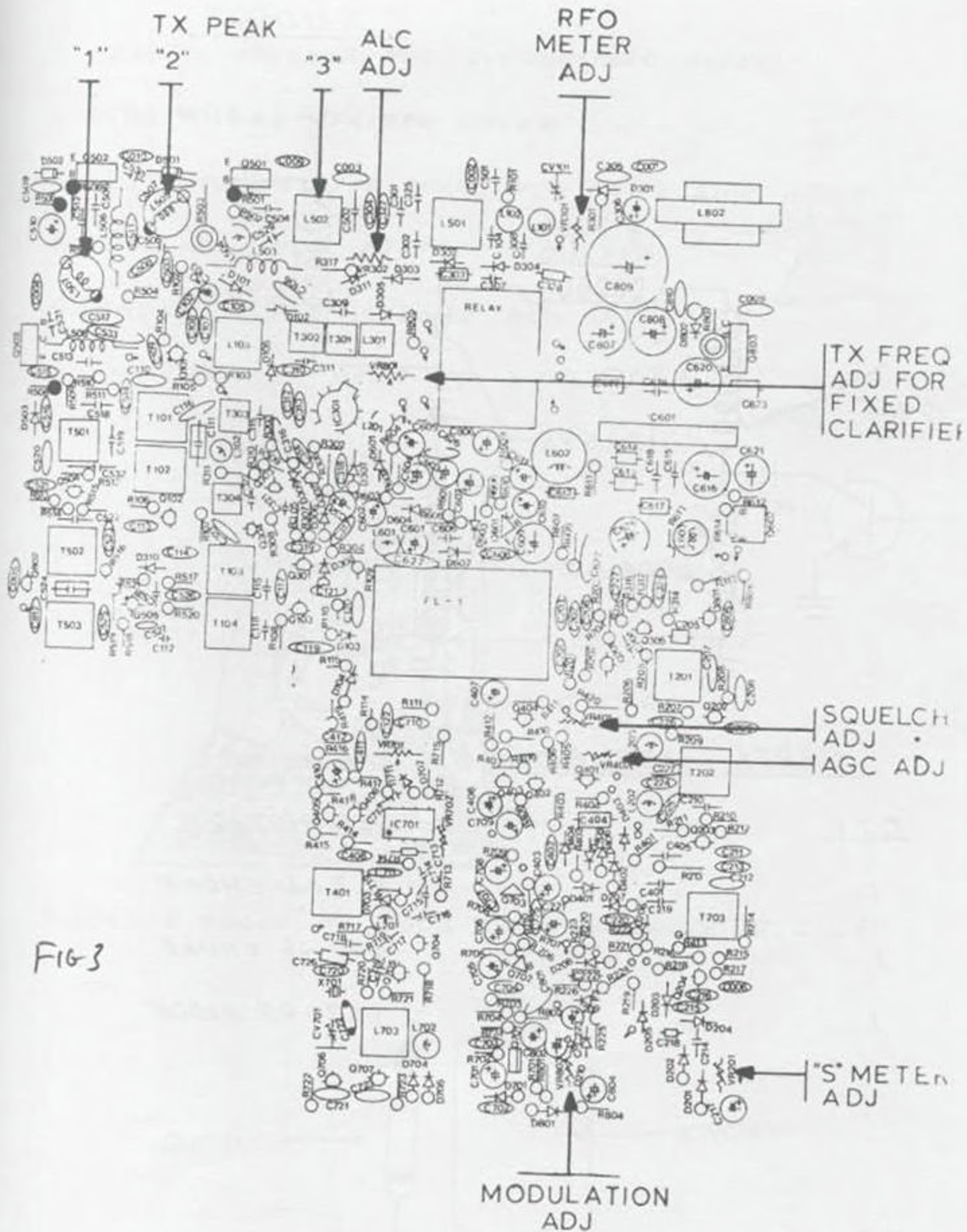
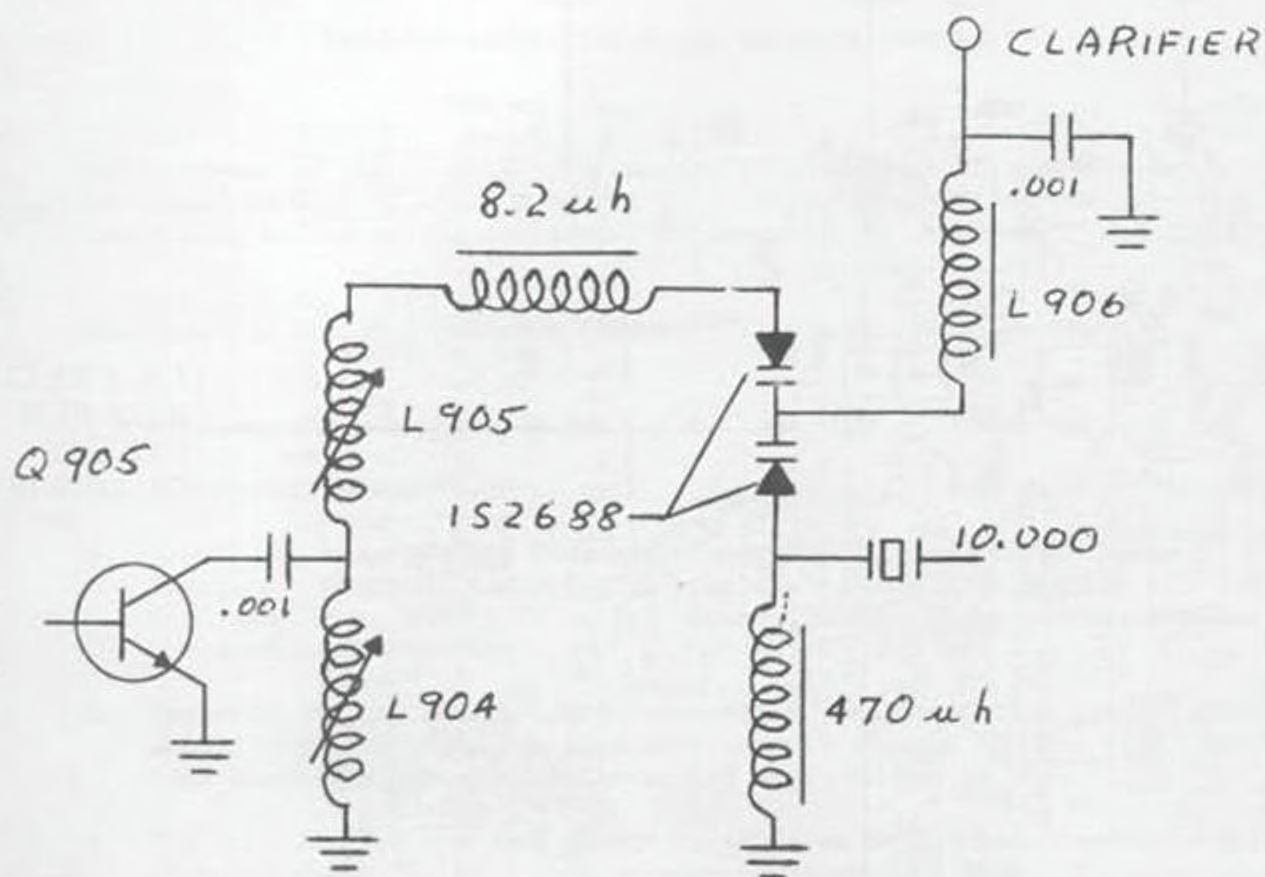


FIG-3



"SLIDER"

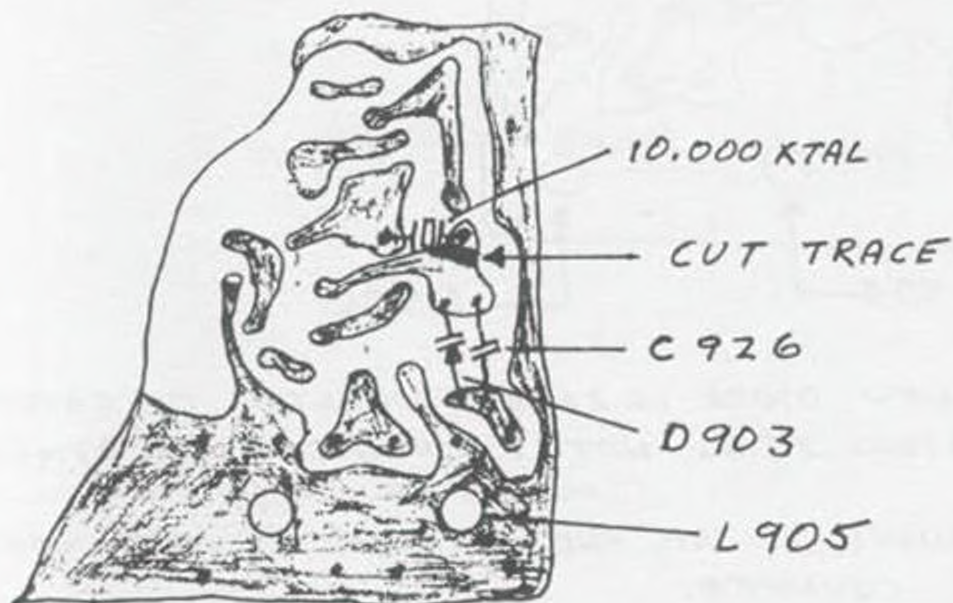


PARTS NEEDED

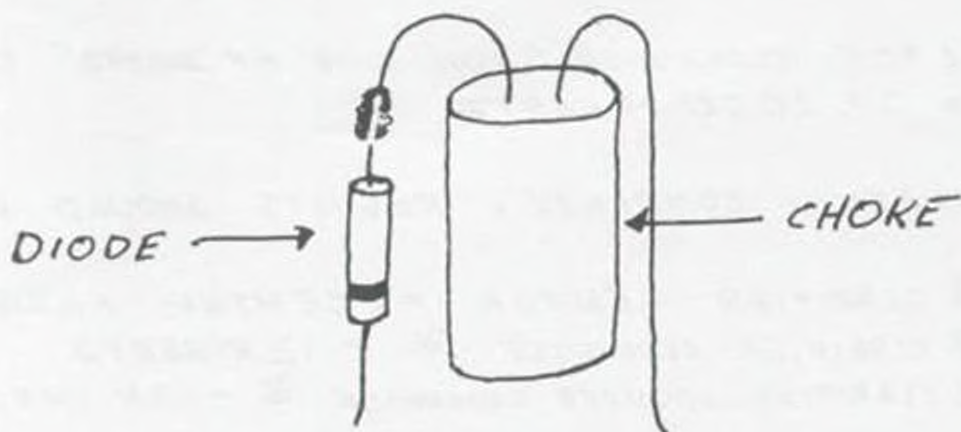
<u>QTY</u>	<u>DESCRIPTION</u>
1	8.2 uH CHOKE
1	470 uH CHOKE
1	152688 DIODE

# INSTALLATION INSTRUCTIONS

1. REMOVE SPEAKER FOR SYNTHESIZER ACCESS
2. REMOVE SYNTHESIZER COVER
3. LIFT SYNTHESIZER BOARD FOR PARTS SIDE ACCESS
4. REMOVE C926 22pF AND DISCARD
5. REMOVE D903 1S2688 AND SAVE
6. CUT TRACE NEXT TO XTAL

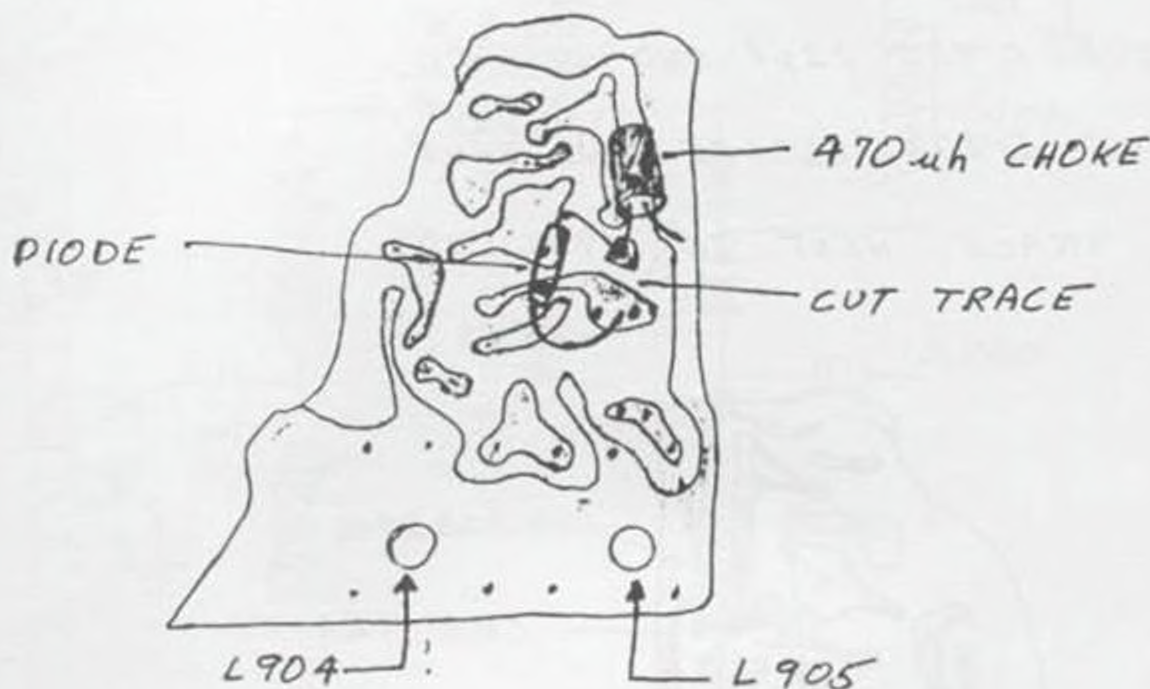


7. SOLDER ANODE OF D903 TO NEW CHOKE 8.2  $\mu$ h





8. INSTALL CHOKE-DIODE COMBINATION IN C 926 HOLES WITH CHOKE TOWARDS L 905
9. INSTALL NEW 470  $\mu$ h CHOKE ON BOARD SIDE FROM XTAL TO GROUND.



10. INSTALL NEW DIODE 152688 FROM XTAL TO CATHODE OF DIODE IN STEPS 7 & 8. NOTE: CATHODE TO CATHODE CLARIFIER CENTER POSITION
11. SET CHANNEL 20 AM, AND TRANSMIT INTO LOAD AND MONITOR COUNTER.
12. TUNE L904 COUNTER CLOCKWISE "FOIL SIDE OF BOARD" UNTIL NO MORE INCREASE IN FREQ. STOP TURNING.
13. TUNE L905 CLOCKWISE "FOIL SIDE OF BOARD" UNTIL FREQ = 27.2050 M HERTZ
- " MODIFICATION COMPLETE. RESULTS SHOULD BE:

- A. CLARIFIER CENTER = CENTER FREQ  
 B. CLARIFIER CLOCKWISE  $\approx + 12$  K HERTZ  
 C. CLARIFIER COUNTER CLOCKWISE  $\approx - 10$  K HERTZ

SPECIFIC RADIO TUNE-UPS



SPECIFIC RADIO TUNE UPS

BOMAN CBR9600

In dash AM/FM/CB

Adjust RV105 for maximum modulation. Remove top cover, RV105 is located on right front, beneath tone/switch control on PC board. Adjust L111 and L113 for maximum power with forward modulation.

---

GEMTRONICS GT44

Adjust RV2 for maximum modulation. It is located near the heat sink of the final transistor Q5 and transformer #ETA66.

---

HY-GAIN MODEL 2701

Adjust RV102 for maximum modulation. It is located near transformer and final transistor on right rear of PC board.

---

ROYCE 1-660

Cut diode D301 for maximum modulation.

---

GENERAL ELECTRIC MODEL 3-5869A

Adjust RV2 located at right rear near heat sink and transformer.

---

KRACO KCB-2340

Adjust RV7 for AM maximum modulation.  
Adjust RV8 for maximum SSB modulation.  
Adjust RV605 for AM power.  
Adjust RV5 for maximum SSB power.

---

GENERAL ELECTRIC 3-5818A

Adjust RV2 for maximum modulation.

---

SHARP MODEL CB-800

Adjust R112 for maximum modulation. Adjust L303 and L302 for maximum power.

TRUETONE MODEL CYJ4832-A -87

Adjust RV2 for maximum modulation. Adjust L7, L11, and L12 for maximum power.

---

VECTOR MODEL X

Cut D260 and D261 for maximum modulation. Adjust L53, L55, L57, for maximum power.

---

DELCO MODEL 70BFMC3

Adjust RV2 for maximum modulation on CB chassis next to transistor heat sink and transformer at right rear of PC board.

---

FACE MODEL 8008

Cut CR18 and CR19 for maximum modulation. They are located near audio output. Transformer and I.C. audio amp. at right center of PC board.

---

BOMAN MODEL CB-750

Adjust FVR-3 for maximum modulation, located near center of PC board, 2/3 way from front panel.

---

KRIS XL25

Adjust VR6 for maximum modulation, located on front side of T7 transformer at center rear of PC board.

---

LAFAYETTE MODEL HB640

Adjust RV2 for maximum modulation located near right rear of board by transformer.

---

RCA MODEL 14T300

Adjust RV102 for maximum modulation.

---

SEARS ROADTALK 40

Cut Diode D501 for modulation.



IMPORTANT SERVICE BULLETINS

SUBJECT: COBRA 139XLR MODIFICATIONS

PROBLEM A. TR-36/R153 Crystal drift due to overheating.

After radio has been on for a period of time, high temperature generated by TR-36 and R-153 overheats the SSB crystals thereby causing excessive transmitter or receiver drift on SSB operation.

PROBLEM B. PCB cracking or breaking due to rough handling.

MODIFICATION PROCEDURE:

1. Remove top and bottom covers from radio.
2. Visually check location of cracks and or breaks in PC board. Particularly check areas close to PC board mounting screws.
3. Place radio upside down on clean cloth or pad.
4. Examine solder side of board for breaks in copper. With a knife remove green protective coating from copper. Solder a short piece of 22 AWG across break, and allow solder to flood remainder of break.
5. Repair breaks and larger cracks with epoxy glue. If cracks or breaks are in vicinity of PC board mounting screws, install #4 X  $\frac{1}{4}$  inch OD flat washers under heads of mounting screws.



6. Carefully examine, and remember where pins of TR-36 and R-153 are soldered on PC board. You will notice that R-153 is in series with center pin (emitter) of TR-36.
7. Unsolder and remove TR-36 from present location.
8. Mount TR-36 on auxiliary heat sink (747-056-9-002 supplied with this mod. kit) using the existing hardware and insulators (Fit.3). Apply thermal compound (341-002-9-001) on both sides of mica insulator before installation. When installing insulated shoulder washer, make sure that the smaller end seats in transistor hole. When tightening transistor mounting screw be careful not to damage insulated shoulder washer.
9. Remove and discard two Phillips screws that mount present heat sink to chassis.
10. Install auxiliary heat sink over present heat sink using two Tapping Screws 710-040-9-001 supplied.
11. Strip (3/8 inch) and trim ends of three 8 inch wires supplied, and solder them to the transistor pins (gray-base, yellow-collector, green-emitter). Install sleeving over soldered connections at transistor pins.
12. Slip the other ends of leads through slot in PC board and solder emitter and base leads to the area of PC board vacated by corresponding pins of transistor.

13. Solder the collector (yellow) lead to the B+ end of R-153.

By use of side butters cut top lead of R-153.

NOTE: Should CT2 or CT3 have been accidentally moved or maladjusted, they should be realigned as follows:

CT2 (USB)	7.8025MHz
CT3 (LSB)	7.7975MHz

Secure leads to cable assembly with black tape or equivalent.

14. Remove backing paper from four rubber cushions (502-104-9-001) and paste cushions on solder side of PC board (Fig 2).

CAUTION:

To avoid damaging lead wires or components, locate rubber cushions in areas of board that are clear of lead wires and components.

15. Reinstall bottom cover, and turn radio over to upright or normal position.
16. Paste two meter cushions (520-104-9-001 on top of Xtal filter (Fig.1).
17. Install a piece of masking tape on underside of PC board holder (251-230-9-001) so as to sheathe burrs and sharp edges.
18. Install PC board holder (Longer flange under auxiliary heat sink, shorter flange under chassis) Fig.I



19. Apply adhesive (3M Scotch-grip 4475 or equivalent) to engaging surfaces at both ends of PC board holder, to prevent it from moving, due to any subsequent mishandling of the radio.

20. Reinstall top cover.

A. Parts required for correction of xtal drift mod. 139XLR.

<u>PARTS DESCRIPTION</u>	<u>DYNASCAN NO.</u>	<u>QTY/KIT</u>
Heat Sink	747-056-9-002	1
Bind screw	634-088-9-003	1
Spring Washer	731-049-9-002	1
Tapping screw	710-040-9-001	2
Lead Wire, green	421-122-3-555	1
" " , yellow	421-122-3-444	1
" " , gray	421-122-3-888	1
Vinyl tube sleeve		3
Thermal compound	341-002-9-001	AR
Adhesive - 3M Scotch-grip 4475 or equivalent		
Tie wrap, nylon	763-031-9-001	1

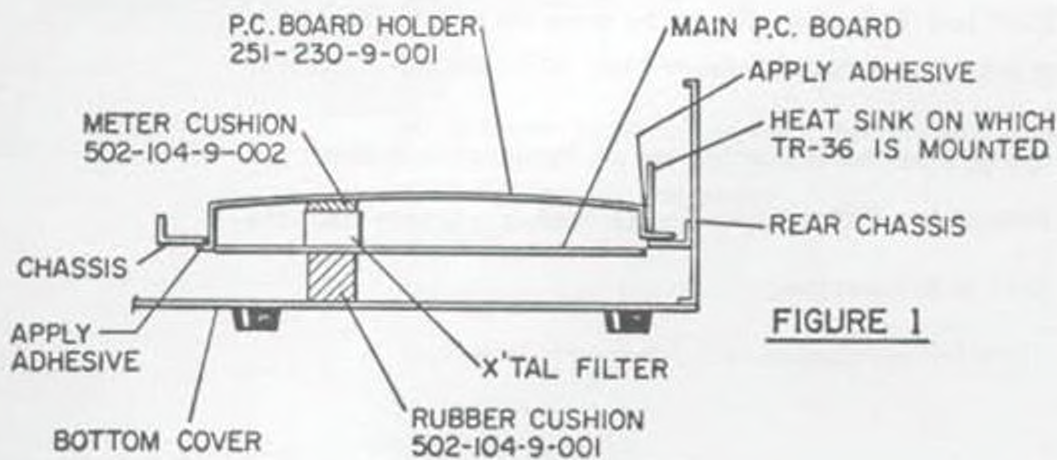
B. Parts required for PC board protection mod. C-139XLR

<u>PARTS DESCRIPTION</u>	<u>DYNASCAN NO.</u>	<u>QTY/KIT</u>
Rubber cushion for PC board	502-104-9-001	4
Holder for PC Board	251-230-9-002	1
Meter cushion	502-104-9-002	2
Tape, masking		AR
Epoxy-Glue		AR

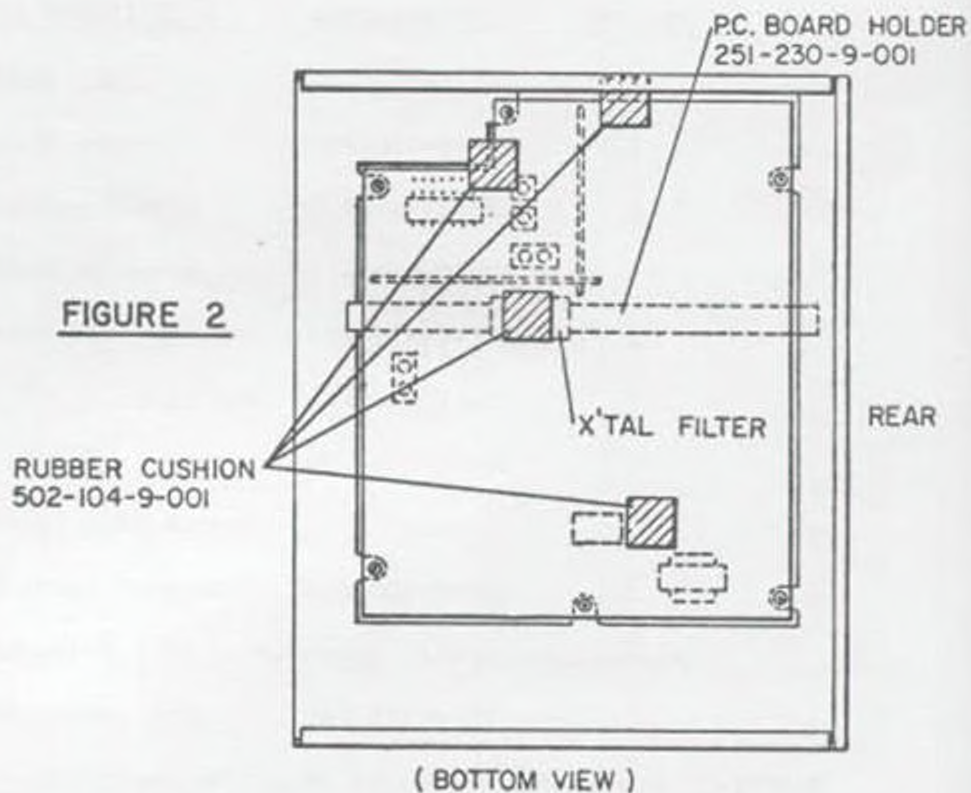
- NOTE: 1. This modification should be done on all radios in for in-warranty repair.
2. Apply this modification up to Production number 70029001. Units beyond this number already contain this modification.



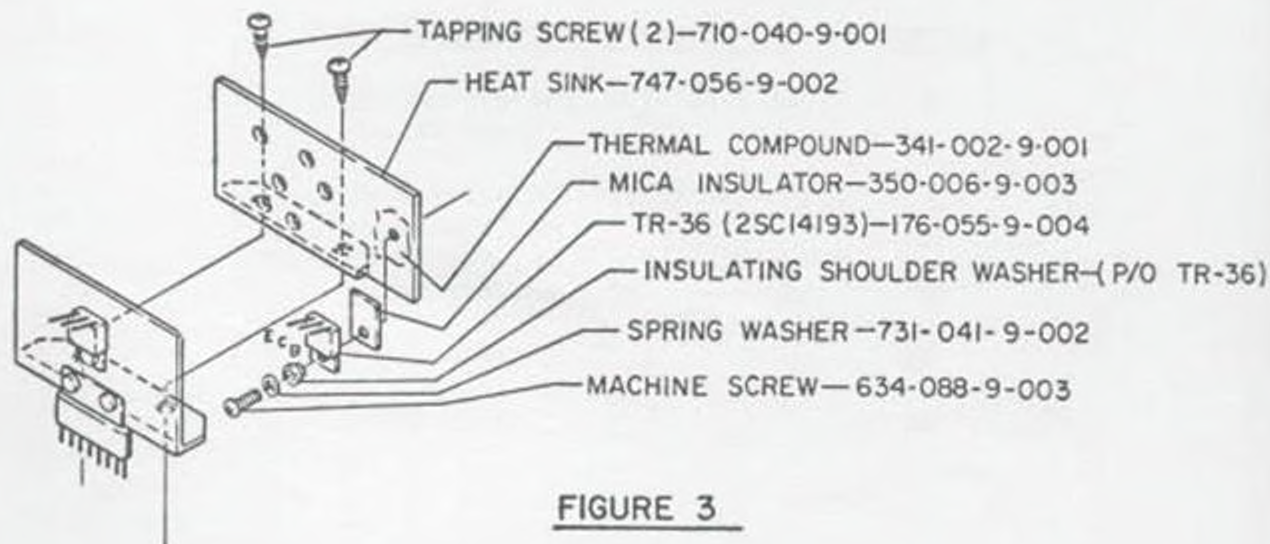




**FIGURE 1**



**FIGURE 2**



**FIGURE 3**

SERVICE BULLETIN

SUBJECT: IMPROVING CROSS MODULATION REJECTION IN THE SBE-12CB SIDEBANDER II AND THE SBE-16CB CONSOLE II

Engineering investigation of the Sidebander II/Console II has determined that the removal of diode D7 will improve cross modulation rejection approximately 10db.

We recommend that any units returned for warranty or non-warranty service have diode D7 removed. No alignment or adjustment is necessary once diode D7 is removed.

This change has been incorporated in all Sidebander II's/Console II's shipped from the factory after April 26, 1976.



SERVICE BULLETINS

SUBJECT: Improved modulation

PROBLEM: To improve the modulation sensitivity and spectrum of the Cobra 29, the following changes should be made.

MODIFICATION REQUIRED:

1. Change R98 to 2.7K
2. Change R99 to 3.3K
3. Change R60 to 470 ohms
4. Delete C97
5. Change C135 to 0.0047mfd
6. Change C57 to 0.0022mfd
7. Reverse L8
8. Install a heat sink on driver transistor TR19

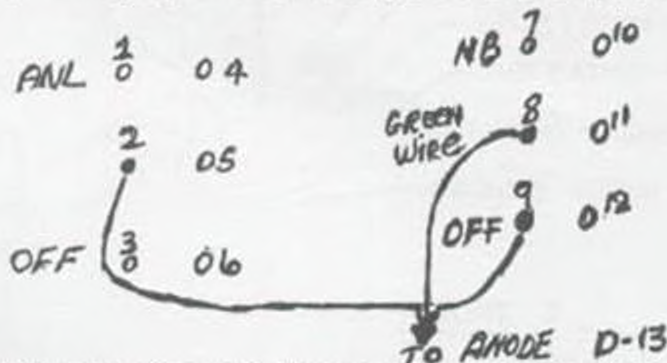
NOTE: Above components were not used on all Cobra 29 production.

SUBJECT: Noise Blanker on Cobra 29

PROBLEM: Some complaints from the field indicate that there appears to be no change in the operation of the Noise Blanker whether it is on or off.

SOLUTION: Referring to diagram, soldering is done only on the NB and ANL switch. The following is the modification for the noise blanker switch operation.

- 1) Move green lead from pin 2 of ANL and solder to pin 8 of Noise Blanker.
- 2) Run jumper wire from pin 2 ANL to pin 9 of Noise Blanker.



REPAIR

LOCATION: With the controls facing you, and the Noise Blanker and the ANL switch top up.

ANTENNA REPORTS



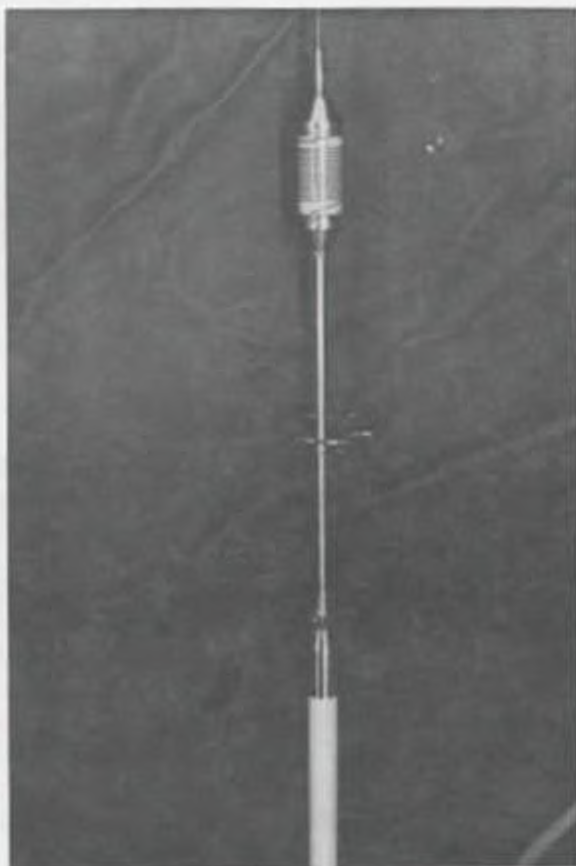
SECRET CB's SIMPLE MODIFICATIONS  
TO BASE ANTENNA SYSTEMS

There have been many modifications to CB antenna arrays and I'm sure many are very valid. However, I wish to state that it is difficult to beat the engineers when attempting to do this.

Taking the above into consideration the following little hints might be helpful.

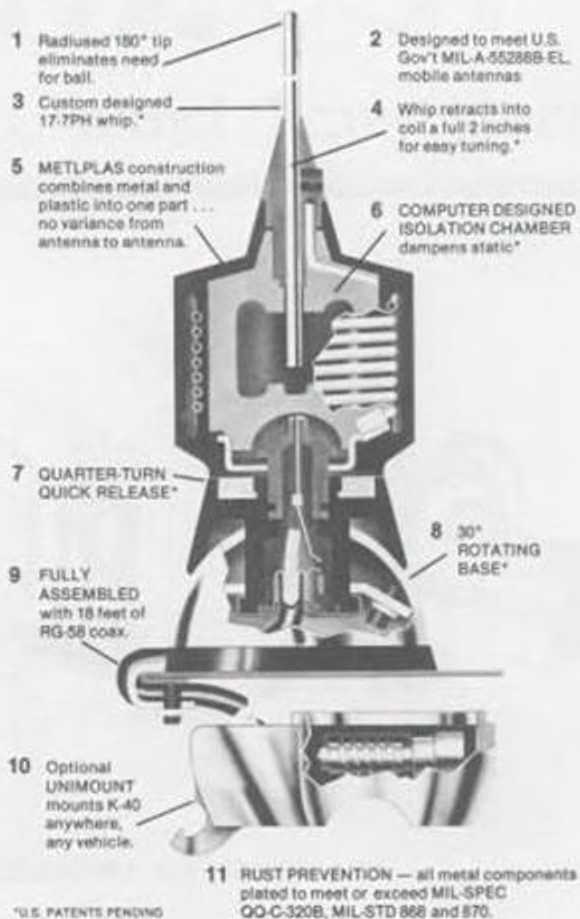
SHAKESPEARE BIG STICK ANTENNA MODIFICATION:

Install 3/4 FRANCIS WHIP or AUDIO KING AK0-100 in top.  
(Replaces TOP WHIP)



A.) The AUDIO KING (Oil Filled Load) disappates static electricity and shows a significant gain or receive and transmit.

B.) The 3/4 FRANCIS may be trimmed if necessary to lower SWR.



\*U.S. PATENTS PENDING

Secret CB notes concerning K-40 antennas.

- 1.) The K-40 is the most fantastic mobile antenna system that we have ever tested.
- 2.) The most significant test of the K-40 antenna was the SWR's were the lowest of any antenna we've seen even from low frequency up to 28,000 mhz.
- 3.) We confirm the average 30% futher range increase on recieve and transmit.
- 4.) The antenna is durable and well constructed. Out of 150 I have installed, we have never adjusted SWR's. (We achieved this by "Bottoming" the "Stinger" all the way down in the load.) Normal SWR was 1.2 flat thro 27.805 mhz.



BETA-COM SWITCH INFORMATION COMPLETE WITH SERVICE BULLETINS



# 40 CHANNELS!

From your 23 Channel Transceiver

The BETA-COM line of switching modules provides a package which replaces the existing channel selector assembly on most transceivers. These modules are complete with necessary hardware and a new 40 channel selector knob which gives factory appearance and on-channel performance. The BETA-COM switch modules provide the most economically time-effective method of upgrading 23 channel transceivers to on-frequency, 40 channel specifications, without giving up the superior performance of your 23 channel equipment.

The model SWM-40 provides all necessary switching circuitry for transceivers which employ two oscillators for frequency synthesis. The SWM-40 adapts to many AM radios.

The model SWM-41 provides switching circuitry for SSB/AM radios where two oscillators are used for synthesis. This model features series tuning capacitors in each of the high oscillator crystal positions. It is specifically designed for such radios as the Cobra 138, Cobra 139, Midland 13-893 and Midland 13-895.

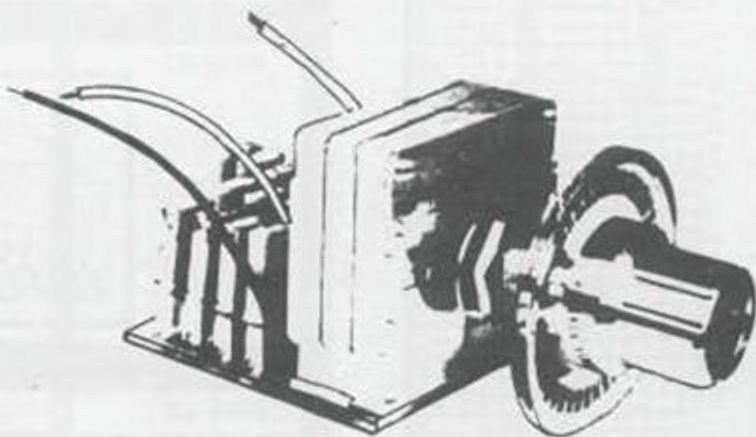
The model SWM-42 utilizes three switching circuits which permits conversion of AM transceivers where a common high oscillator is employed along with separate low frequency transmit and receive oscillator circuits.

The model SWM-53 is a unit specifically designed for SSB/AM transceivers where two oscillator circuits are employed and it is necessary to tune, through individual series tuning capacitors, both the high and low oscillator circuits.

The model SWM-54 delivers complete tuning capability in SSB/AM transceivers employing a single high frequency oscillator circuit, along with individual transmit and receive oscillator circuits requiring the ability to separately tune all crystals.

The SWM-40 and SWM-42 are available as SWA-40 and SWA-42 for use in applications where "soldered in" crystals are employed in the original radio. Sockets are provided only in crystal positions X102, X103, X104, X105, and X106.

Complete conversion reference material is available from your local BETA-COM distributor. BETA-COM also offers a line of PLL modification kits. Consult your distributor for details.



- Replaces existing channel selector switch
- Maintains all the performance features of your 23 channel radio
- Exclusive internal mounting
- Supplied with 40 channel knob
- On-frequency correlated crystal groups
- Detailed installation instructions
- Conversion modules available for most 23 channel transceivers
- Secures your original investment
- Only your technician will know

## BETA-COM CORPORATION



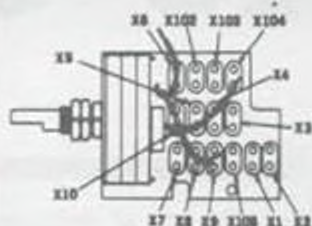
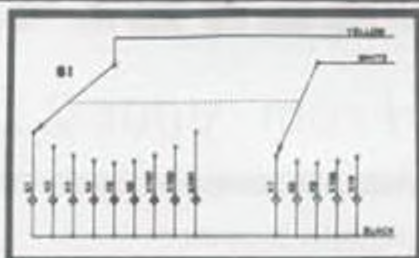
ONE OF THESE MODELS CAN CONVERT YOUR CRYSTAL SYNTHESIZED RADIO

SWITCHING TRUTH TABLE FOR MODELS SWM-40, SWM-41, SWM-53

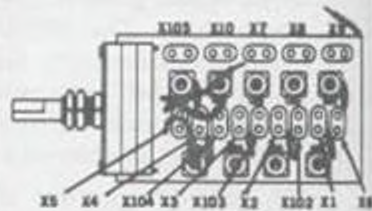
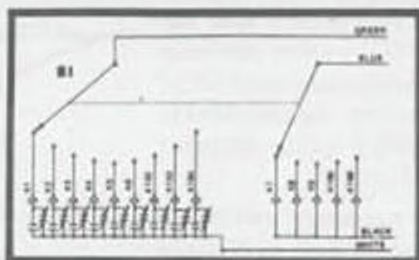
COMMON 10 KHZ SPACING  
COMMON 50 KHZ SPACING

	X1	X2	X3	X4	X5	X6	X102	X103	X104	X7	X8	X9	X10
1	●												
2	●												
3	●												
4	●												
5	●												
6	●												
7	●												
8	●												
9	●												
10	●												
11	●												
12	●												
13	●												
14	●												
15	●												
16	●												
17	●												
18	●												
19	●												
20	●												
21	●												
22	●												
23	●												
24	●												
25	●												
26	●												
27	●												
28	●												
29	●												
30	●												
31	●												
32	●												
33	●												
34	●												
35	●												
36	●												
37	●												
38	●												
39	●												
40	●												

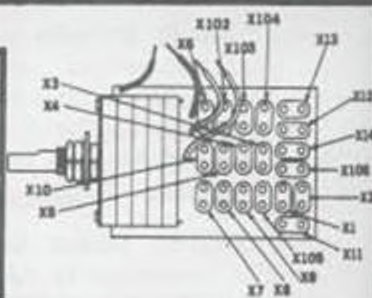
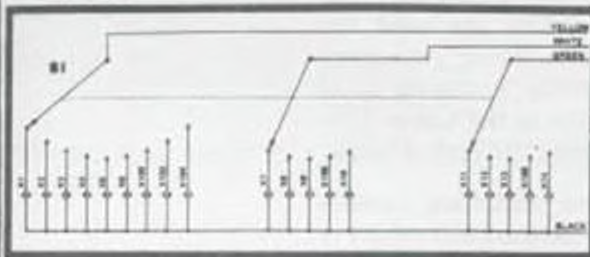
SWM 40



SWM 41



SWM 42



SWITCHING TRUTH TABLE FOR MODELS SWM-42, SWM-54

COMMON 10 KHZ SPACING  
COMMON 50 KHZ SPACING

	X1	X2	X3	X4	X5	X6	X102	X103	X104	X7	X8	X9	X10	X11	X12	X13	X14
1	●																
2	●																
3	●																
4	●																
5	●																
6	●																
7	●																
8	●																
9	●																
10	●																
11	●																
12	●																
13	●																
14	●																
15	●																
16	●																
17	●																
18	●																
19	●																
20	●																
21	●																
22	●																
23	●																
24	●																
25	●																
26	●																
27	●																
28	●																
29	●																
30	●																
31	●																
32	●																
33	●																
34	●																
35	●																
36	●																
37	●																
38	●																
39	●																
40	●																

SWM 53-Details Available August 1977

SWM 54-Details Available August 1977

Available from your local distributor



# BETA-COM 40 CHANNEL SWITCH MODULE & CRYSTAL REFERENCE

# No. 4

## 1-15-78

MANUFACTURER and MODEL	SWITCH MODULE	CRYSTAL GROUP	MANUFACTURER and MODEL	SWITCH MODULE	CRYSTAL GROUP
<u>Aimor</u>			<u>Eico</u>		
CB-7000	42	2H	Sentinel 23, Sentinel Pro 7723	40 42	E 2A
<u>Alaron</u>			<u>Electronic 2000</u>		
B-1025	42	2B	Contact 23	42	2A
B-1050	40	A	<u>Fannon</u>		
B-1150	42	2A	Fanfare 120	40	A
<u>Allstate</u>			<u>Fieldmaster</u>		
7531, 7535	42	2E	MF-1001	54	3A
6554	40	K	TR-19, TR-19M, TR-20	42	2A
6562, 6563	40	G	<u>Fulcomm</u>		
<u>American Electronics</u>			2303	54	3E
76-501, 76-601	42	2H	<u>Gem Marine</u>		
<u>Amphenol</u>			GB-11935	40	A
777	42	2B	GR-11930	42	2A
<u>Aircastle</u>			<u>Gemtronics</u>		
JE-321	40	E	GTX-23, GTX-36	42	2A
<u>Audiovox</u>			GTX-2300	40	A
MGB-1000, MGB-2000	42	2A	GTX-3000	42	2D
<u>Beltek</u>			<u>General Motors</u>		
Enduro 23	42	2H	CBD-01Z, 123A, GM-130	42	2E
<u>Browning</u>			GM-23B, GM-23C	42	2A
Eaglette "Y"	42	2C	CBD-10	23	--
Eaglette "X"	42	2G	<u>Globe</u>		
Brownie	40	B	9000, 9001	42	2H
LTD	53	1C	<u>Granada</u>		
SST	42	2H	CB-6, CB-7, FCB-27	42	2A
<u>Caltron</u>			<u>Grand Prix</u>		
CB-7500	42	2A	D1125, D1325RF	42	2A
<u>Channel Master</u>			<u>General Electric</u>		
CB-6832	23	---	3-5810B	23	---
<u>Claricon</u>			<u>Great</u>		
14-523, Pirate, Privateer, Intruder	42	2A	GT-418	40	A
30600, 30800, 30500, 30200	42	2A	<u>Hallicrafters</u>		
<u>Cobra</u>			CB-14	40	K
21, 29, 89, Cam 88, 98	40	A	CB-24	42	2A
21X	21	---	<u>Handic</u>		
23, 27	40	F	235, 2305	42	2A
20, 24, 25, 28	42	2H	<u>Hitachi</u>		
85	40	B	CM-2375H, 2400CH, 4800CH	42	2A
132, 135	53	1C	<u>Hy-Gain</u>		
132 (early version)	54	3E	670B, 671B, 672B, 670, 671, 672, 673, 675	40	A
138, 139	53	1D	674	54	3C
880	54	2H	674B	53	1E
131	54	3E	681, 682	22	---
<u>Commando</u>			2681, 2683, 3682, 2680	23	---
2310, 2340	42	2A	<u>Jet-Sounds</u>		
2320, 2325	42	2H	CB-7000	42	2H
<u>Courier</u>			<u>Johnson</u>		
TR-23B, TR-23S, Travelier I, II	42	2A	123, 123B, 123A, 1235J, 130, 223, 250	42	2E
Classic I, II, Clipper 23, Comet, Crusier	42	2A	124, 320	40	G
23, 23Plus, Royale, Ranger 23,	40	E	351, 352	53	1B
Conqueror II, Caravelle II, Rebel 23	40	A	<u>Knight</u>		
Caronell II, Fanfare 100, Cadet 23	40	A	2569	42	2A
Centurion, Gladiator	54	3B	2533	40	F
Spartan	54	3D	2561, 2564, 2568	42	2H
<u>Craig</u>			Safari I	40	I
4101, 4102, 4104	42	2H	<u>Kraco</u>		
4103, 4201	42	2A	2320B, 2330B	23	---
<u>Demco</u>			2340, 2355	53	1E
Super Satellite, Satellite	40	E	1300, 2310, 2320, 2345	40	A
<u>Echo</u>			2310B, 2320A	22	---
'49er	42	2A			
'99er	40	A			
Excellence	40	E			

# BETA-COM Corporation



MANUFACTURER and MODEL	SWITCH MODULE	CRYSTAL GROUP	MANUFACTURER and MODEL	SWITCH MODULE	CRYSTAL GROUP
<b>Kris</b>			<b>Realistic</b>		
23, 23Plus, T23, 99er, Vega, T123	40	A	TRC-24C, 30, 30A, 52, 56	40	A
XL-23, Ventura	42	2A	TRC-23, Navajo, Mini 23	40	E
Victor, Victor II	42	2C	TRC-24, 24B, 25, 50A, 68, Amer23	42	2A
XL-70	54	3E	TRC-55, 101B	42	2B
			TRC-46	54	3C
			TRC-47, 48	54	3I
<b>Lafayette</b>			<b>Regency</b>		
Comphone 23, Comphone Mark II	42	2A	Imperial II	40	K
HB-550, HB-700, Telstat 1000, 1023, B	42	2A	CR-202	40	A
Comphone 23A, HB-750, HB-950	23	---	Sprint 23, 23II, CR-185, 142, 230	42	2A
Telstat 1050, HB-650	23	---	CB-283, GT-523	42	2F
Comstat 25, HB-444	40	C	CR-123B	54	3D
Comstat 25A, 25B, 35, 625A Telstat 23	40	A	CR-240	21	---
HB-525 A thru F	40	A			
Comstat 23	42	2H	<b>Robyn</b>		
HB-333	40	E	DC-30, LB-23A, WV-23A, K-123,	42	2A
HB-400	40	H	BB-123, XL-2, TR-123, -123B, 123C	42	2A
Telstat SSB 75, SSB-100	53	1E	SS-747, SX-101, GT-VIII	42	2A
<b>Mark</b>			<b>Royce</b>		
SSB-46	54	3E	1-602, 602A, 620, 605, 605A, 606, 650	42	2A
Invader 23	42	2B	1-630	54	3C
Lancer 23	42	2H	1-631, 640	54	3F
<b>Midland</b>			<b>Romar</b>		
13-795	42	2D	ACT-1914	42	2A
13-871, 881B, 881	42	2H	CB-7000	42	2B
13-765, 886, 875, 890, 882, 882B, 858	40	A			
13-857, 853, 852, 886, 884, 863B	40	A	<b>Rose</b>		
13-864, 865, 869, 862, 877, 790, 867, 887	42	2A	CB-1000	42	2A
13-865B	42	2A			
13-872, 879, 870, 870C, 870D	42	2B	<b>Ryest</b>		
13-895	53	1D	CB-523, CBR-1700, 1800	42	2A
13-896, 894	53	1C			
13-892	54	3I	<b>SBE</b>		
13-873	54	3E	Cortex, Catalina III, Malibu 29CB	42	2H
13-976	53	1E	Trinidad II/30CB, Coronado	42	2H
13-883B	21	---	Console II/16CB, -6CB, Sidebander II	53	1B
13-857B, 882C, 888B, 889C 13-955	23	---	11CB, 26CB	42	2A
<b>Morse Electroproducts</b>			<b>Sears</b>		
CB-700, CB-800, CB-2000	42	2A	934, 367-10500, 934, 367-40500	42	2H
			934, 367-70500, -71500, -72600	54	3C
<b>Multi Products</b>			<b>Shakespeare</b>		
Citizone 19	42	2A	GBS-1500	42	2A
<b>Navox</b>			<b>Sharp</b>		
CB-7000	42	2H	CB-500 UB	40	A
TC-5020	42	2A			
			<b>Siltrox</b>		
<b>Olson</b>			SSB-23	54	1E
CB-88, CB-409	42	2A	Apache, Mohawk	42	2H
			Albatross SSB-23A	54	3E
<b>Pace</b>			<b>Sonar</b>		
2376, CB-76, 2300(Y), Plus 23(Y)	42	2C	FS-23, FS-3023	40	I
2300(X), Plus 23(X)	42	2G			
CB-130, 133, 143, 144, 113, 162	42	2A	<b>Squires Sanders</b>		
CB-223	42	2D	Skipper	42	2A
CB-1023, 1023B	53	1B			
CBST-23	54	3E	<b>Stereosonic</b>		
CB-145, 146	42	2H	2355, 2360, 2300	42	2A
1000 B, 1000 M	53	1G			
			<b>Surveyor</b>		
<b>Pal</b>			2100	42	2H
Coyote 23	54	3E	2300, 2400, 2600	42	2A
Roadrunner 23	42	2H			
			<b>Teaberry</b>		
<b>Palomar</b>			Mighty T, T Control, Tele T, T Scout	40	A
21	40	A	Model T, T Charlie One	40	A
			Big T, 5 x 5	42	2A
<b>Panasonic</b>			Racer T	23	---
RJ-3200	42	2A			
			<b>Team</b>		
<b>Pearce Simpson</b>			XL-100	40	J
Alleycat 23, Tomcat 23, Tiger 23	40	A	Diamond 40	42	2H
Director 23, CB-23, Guardian 23, 23B	42	2D	Diamond 67	53	1C
Bearcat 23, 23C, Cougar, Lynx 23,	42	2A	XL-5	53	1B
Bobcat 23, 23C, 23E, Puma 23, 23C	42	2A			
Tiger 23B, Pussycat 23, Super Lynx	42	2A	<b>Truetone</b>		
Bobcat 23D, Tomcat 23B	42	2H	MCC-4635A/67, -4774, 4434A/67	40	A
Simba SSB, Cheetah	54	3B	MCC-4739A/67, 4733A/67, 4672, 4770	40	A
Bengal SSB, Panther	54	3D	DX-4370, MEC-4532A/57	42	2A
Tiger Mark II	23	---	MCC-4434B/67	23	---
			MCC-4760A/67	40	A
<b>J. C. Penney's (Penncrest)</b>			<b>Unimetrics</b>		
Pinto, Golden Pinto, Pinto 23, 23B	42	2A	Marlin I, Porpoise I, Dolphin, Mako-I	42	2A
981-6073	54	3G	Sea Horse I	42	2A
981-6240	54	3C	Stingray II	53	1E
981-6213	40	A			
981-6235	42	2A	<b>Utac</b>		
			Studio 4000, TRX-30, TR-18M, Mini23	42	2A
<b>Polytronics</b>					
SR-23, Pro 23	40	E	<b>Vector</b>		
			IX, VI	42	2A
<b>Ray Jefferson</b>			IV	42	2H
CB-705, CB-707, CB-905	42	2H	<b>Xtal</b>		
			SCB-5, XCB-12, XCB-4, XCB-5, XCB-6	42	2A
<b>RCA</b>			XCB-7, XCB-11	42	2A
14T100/200	42	2A			
			<b>Zodiac</b>		
<b>Raytheon</b>			M-5023, M-5026	42	2A
Ray-Com III	42	2H			

SWM - Prefix to Switch Module Model No. indicates that crystal sockets are provided for all crystals.  
 SWA - Prefix to Switch Module Model No. indicates that crystal sockets are provided only for added crystals X102 thru X106.  
 -25 Suffix indicates that shaft length is .25".  
 No suffix to model number indicates that standard 1" long, flattened shaft is provided.  
 Use SWA module where wired in crystals are supplied with the original radio.  
 BETA-COM HAS MADE EVERY EFFORT TO INSURE THAT THESE CHARTS ARE CORRECT. AN EXAMINATION OF THE RADIO SHOULD BE MADE TO DETERMINE WHETHER WIRED IN OR SOLDERED IN CRYSTALS ARE EMPLOYED. BETA-COM CANNOT GUARANTEE THE ACCURACY OF THESE CHARTS DUE TO THE FACT THAT MANY MANUFACTURERS CHANGE DESIGNS WHILE USING THE SAME MODEL DESIGNATIONS. BETA-COM SOLICITS YOUR COMMENTS REGARDING ANY ERRORS IN THESE CHARTS.



# CRYSTAL REFERENCE CHART

for use with **BETA-COM** Switch Modules

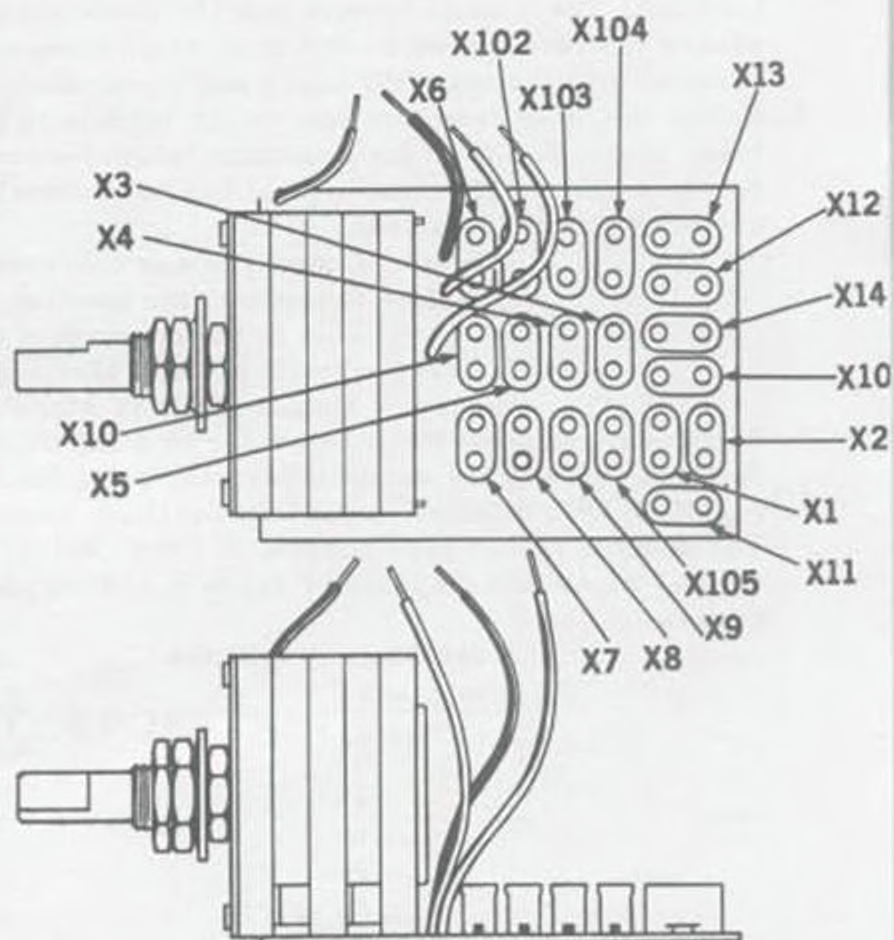
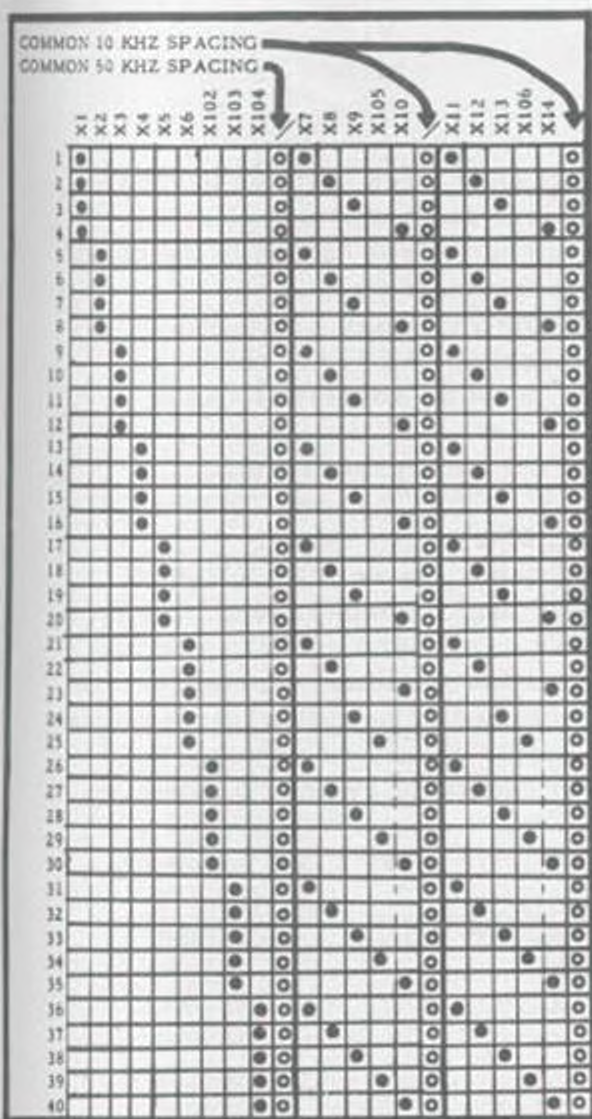
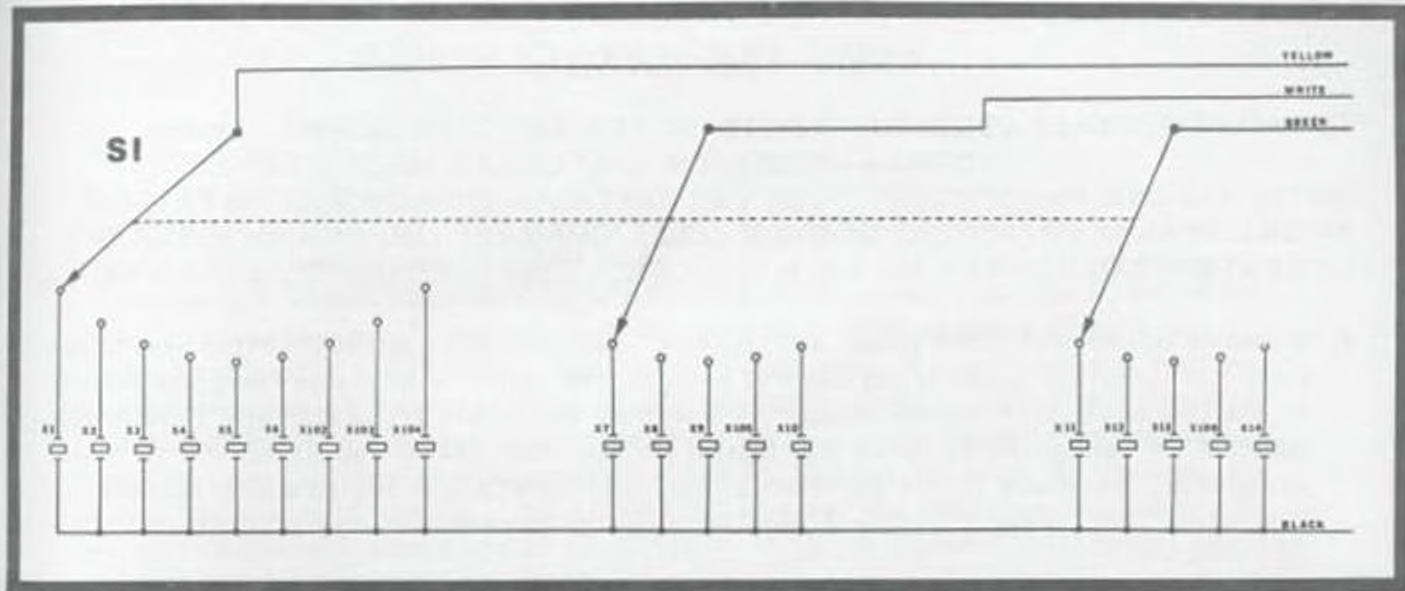
CRYSTAL GROUP	-----SWITCHING MODULE CRYSTAL POSITION-----				
	X102	X103	X104	X105	X106
A	23.590	23.640	23.690	14.980	
B	12.005	12.055	12.105	7.490	
C	41.200	41.250	41.300	7.705	
D					
E	37.900	37.950	38.000	4.605	
F	33.465	33.515	33.565	10.470	
G	33.145	33.195	33.245	10.150	
H	16.900	16.950	17.000	4.395	
I	16.500	16.550	16.600	4.795	
J	16.610	16.660	16.710	4.430	
K	11.150	11.200	11.250	8.645	
1A	7.8777	7.8943	7.9110	14.934	
1B	12.000	12.050	12.100	7.4925	
1C	16.265	16.315	16.365	6.030	
1D	8.459	8.509	8.559	11.0335	
1E	23.630	23.680	23.730	14.937	
1F	15.382	15.3987	15.4154	10.605	
1G	12.040	12.090	12.140	7.4525	
2A	37.900	37.950	38.000	10.605	10.150
2B	37.900	37.950	38.000	10.605	10.060
2C	35.271	35.321	35.371	7.976	8.431
2D	33.300	33.350	33.400	6.005	6.460
2E	33.000	33.050	33.100	5.705	6.160
2F	19.305	19.355	19.405	7.990	7.535
2G	18.813	18.863	18.913	8.482	8.937
2H	17.265	17.315	17.365	10.030	9.575
3A	46.1515	46.2015	46.2515	10.605	10.608
3B	11.300	11.350	11.400	8.1955	8.1935
3C	7.8766	7.8933	7.910	14.937	14.934
3D	12.105	12.155	12.205	7.3915	7.3885
3E	12.005	12.055	12.105	7.4915	7.4885
3F	7.8792	7.8958	7.9125	14.937	14.934
3G	37.900	37.950	38.000	11.0585	10.1515
3H					
3I	23.630	23.680	23.730	14.937	14.940



INSTALLATION INSTRUCTIONS  
MODEL SWM-42

1. The Model SWM-42 and SWA-42 BETA-COM Switching Modules are designed to replace the 23 channel selector switch assembly in Citizens Band Transceivers employing three separate oscillator circuits. Typically, these oscillator circuits are utilized in the Transmit and Receive functions to synthesize the necessary output frequencies. Typical circuits employ one highfrequency oscillator coupled with two separate low frequency oscillators, one for the receive function and the second for the transmit function.
2. Remove the transceiver housing so as to have full access to both the bottom of the printed circuit board and the top side. Always make certain that the transceiver to be modified is operating in both transmit and receive functions before starting the conversion.
3. Before commencing with the conversion examine the radio to make certain that the SWM Module will physically fit into the transceiver in place of the existing 23 channel selector switch assembly. The SWM Switch Module generally mounts "up-side down" in the radio but may vary depending upon the model and space available. Always mount so the leads from the Module will be as short as possible when wired into the circuit.
4. After determining that the Switch Module can be accommodated within the enclosure of your transceiver, locate the switch output leads which feed the three oscillator circuits. One will be the high frequency oscillator and the second will be the low frequency transmit oscillator. The third will be the low frequency receive oscillator. These leads should be cut at the switch end and not at the PC board as this will facilitate their proper location in further steps.
5. Remove all remaining switch leads at the PC board end by carefully unsoldering from the printed circuit board. Remove the old selector switch and set aside.
6. If your radio employs plug-in crystals carefully remove them from your transceiver and plug them into the proper sockets on the SWM-42 Switch Module. If your radio uses soldered in crystals it is recommended that you use the SWA-42 Switch Module since it has sockets for only the added crystals, X102, X103, X104, X105 and X106. It is then not necessary to remove the other sockets in order to install the soldered in crystals removed from your radio. If your radio does have soldered in crystals be very careful in removing the crystals. It is recommended that you use "solder-wik" or some type of solder removal tool.
7. Ream the channel selector mounting hole to 3/8" diameter to permit mounting the Switch Module. Install the Module with the hardware included. Locate the high frequency oscillator input. This will be one of the wires you left on the PC board. Connect the YELLOW lead from the switch Module to this point. Locate the lead which is the transmitter low frequency oscillator input and connect the WHITE lead to this point. Connect the GREEN lead to the low frequency receive oscillator input. Connect the BLACK lead from the Module to a convenient PC board common ground point.
8. Install the knob and align as instructed in knob assembly sheet.
9. Reassemble your transceiver. It is not ready to transmit and receive on all 40 CB Channels.





BETA-COM CORPORATION



## MODEL SWM-41 SWITCH MODULE

DETAILED INSTALLATION INSTRUCTIONS FOR MIDLAND MODEL 13-895,  
COBRA MODEL 138 AND COBRA MODEL 139

NOTE: BEFORE PROCEEDING WITH THE INSTALLATION OF THE BETA-COM MODEL SWM-41 SWITCHING MODULE MAKE CERTAIN THE TRANSCEIVER IS OPERATING CORRECTLY ON AM & SSB FUNCTIONS ON EXISTING 23 CHANNELS.

1. Remove Knobs and front panel escutcheon. Remove the existing switch and carefully unsolder all leads from the PC board. The leads which run from the switch to the two oscillator inputs should be noted as the leads from the new switch module will be connected to these PC Board points. One lead, supplying the 11 Mhz oscillator, connects to the junction of D23 and R69 (and L301 in some models). The other lead, supplying the 8 Mhz oscillator, connects to the junction of L2, and R82.
2. After removing all existing crystals and unsoldering all leads from the old switch ream the switch mounting hole to 3/8" diameter.
3. Install all crystals into the appropriate sockets.

X1- 8.1590 Mhz.	X6- 8.4090 Mhz.	X102- 8.4590 Mhz.
X2- 8.2090	X7- 11.0035	X103- 8.5090
X3- 8.2590	X8- 11.0135	X104- 8.5590
X4- 8.3090	X9- 11.0235	X105- 11.0335
X5- 8.3590	X10- 11.0435	
4. Mount the SWM assembly into the front panel bracket and fasten with the hardware supplied. The module mounts into the transceiver upside down and it may be necessary to dress the wires in the shielded compartment to permit mounting the module parallel with the main PC board and perpendicular to the front panel.
5. Solder the leads from the new switch module to the main PC board as follows. The leads should be cut to the minimum length before soldering. All leads should be firmly anchored after the module has been installed. A small amount of wax or hot stick glue may be used.
  - Black- Connect to any convenient PC Board ground Point.
  - White- Connect to the junction of L3, D26, C74 and C75 thru C80. This is the common of the 8 Mhz crystal bank.
  - Green- Output of the 8 Mhz crystal bank. Connect as in step 1
  - Blue- Output of the 11 Mhz crystal bank. Connect as in step 1
6. Alignment- Connect the transceiver to a 12VDC power supply and connect a counter to TP-4. This is the output measuring point for the 8 Mhz oscillator circuit. Set the AM/USB/LSB selector to the USB position. Locate Channel 1 on the selector switch. The counter should read approx. 8.1590. Adjust trimmer capacitor adjacent to crystal X1 so that the counter reads 8.159000 plus or minus 30 cycles. proceed as follows-

<u>Set Channel selector to channel</u>	<u>Adjust Trimmer Capacitor</u>	<u>Set frequency for</u>
5	X2	8.209000
9	X3	8.259000
13	X4	8.309000
17	X5	8.359000
21	X6	8.409000
26	X102	8.459000
31	X103	8.509000
36	X104	8.559000

This completes the alignment of the 8 Mhz. oscillator circuit.



7. Alignment of the 11 Mhz circuit is accomplished as follows.

Connect the counter to TP3,

Adjust the Voice Lock or Clarifier front panel control to Mid Point of its range. Set the switch module to Channel 40. The counter should now read approx. 11.043 Mhz. Adjust the Voice Lock Range control, VR5 so that the counter reads exactly 11.043500 Mhz. Set the selector switch to channel 39, the counter should read 11.033500, set the selector to channel 38 and the counter should read 11.023500. Set the selector to channel 37 and the counter should read 11.013500 and set the selector to channel 36 and the counter should read 11.003500. With the channel 40 crystal reading 11.043500 Mhz all other 11 Mhz crystals should read within plus or minus 1000 Hz.

8. The transceiver may now be reassembled and is ready for 40 channel operation.

SWM-41 BETA-COM, WHEELING, ILL. USA  
COBRA 138  
COBRA 139  
MIDLAND 13-895

**BETA-COM CORPORATION**



The BETA-COM CRYSTAL SWITCHING MODULE, Model SWM-41 is designed to extend the frequency capability of transceivers to a full 40 channels. A 40 channel switch, along with the necessary tuning capacitors are mounted to an epoxy-glass printed circuit board permitting rapid update of the transceiver.

The switch provides two separate circuits, one of which has included a series trimmer capacitor to permit precise tuning of the individual crystals.

#### INSTALLATION

1. Remove the top and bottom covers of the transceiver. Remove any knobs, panels or brackets necessary to permit easy removal of the existing 23 channel switch. It is recommended that you first locate the leads connecting the switch to the two synthesizer oscillators. Note these leads and cut them but do not remove them from the board until you are ready to connect the SWM-41 into the circuit.
2. Remove all leads from the existing switch at the PC board end. The old switch and leads will be discarded. Make certain that no solder is splashed on the PC board which may cause shorts. It is generally not necessary to remove the existing PC board crystal sockets or trimmer capacitors.
3. The SWM-41 switching circuit #1 is designed to add 150 Khz to the range capability of the synthesizer circuit in 50 Khz steps. The second section provides the necessary switching to accomplish 10 Khz steps to the appropriate oscillator circuit.

OSCILLATOR CIRCUIT #1 PROVIDES 50 KHZ STEPS  
COMMON- WHITE  
SWITCHED- GREEN

OSCILLATOR CIRCUIT #2 PROVIDES 10 KHZ STEPS \*  
COMMON- BLACK  
SWITCHED- BLUE

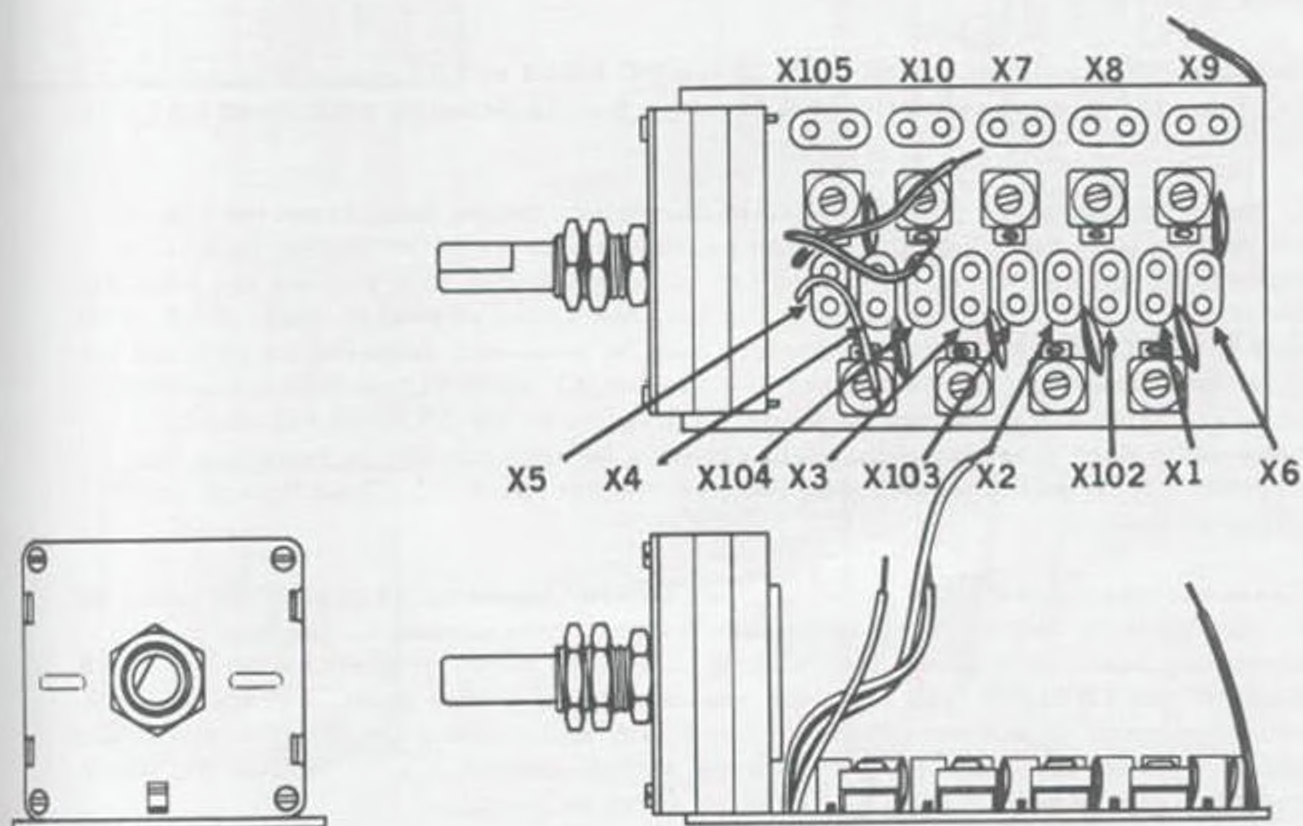
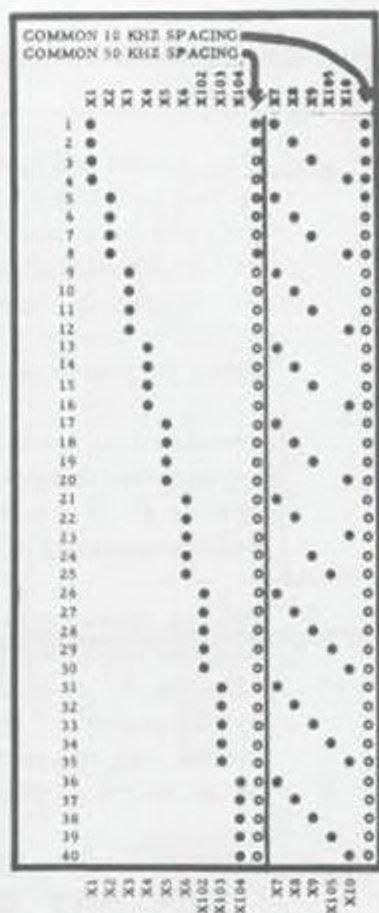
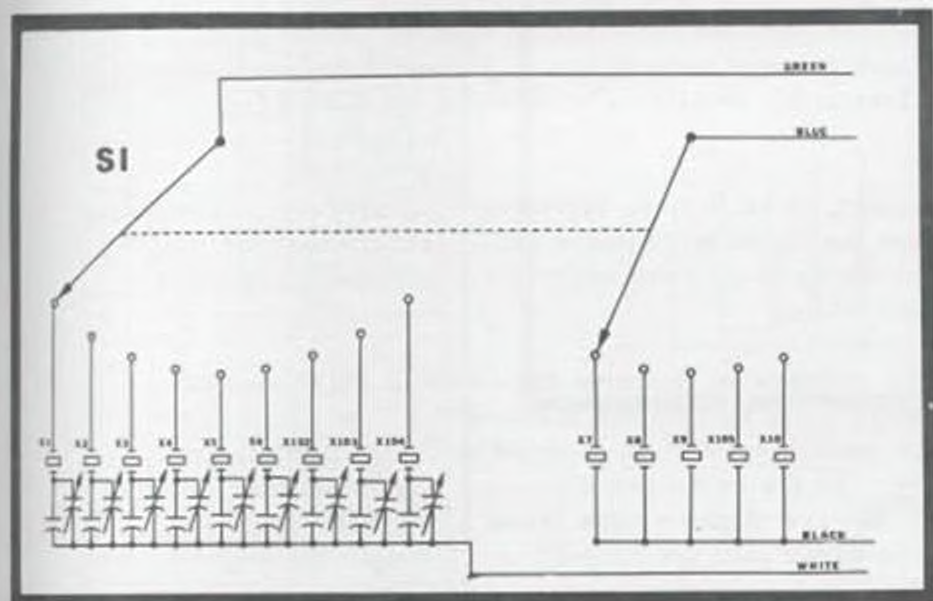
\* In switch positions 4, 8, 12, 16, & 20 the steps are in 20 khz increments.

4. Separate the crystals removed from the transceiver into the groups spaced at 50 khz and the group spaced at 10, 10, 10 & 20 khz. The lowest frequency in the 50 khz group is assigned the X1 designation with X2 thru X6 being assigned the higher frequencies, in order. The lowest frequency in the second group is assigned the number X7 with the remaining crystals in the group being assigned X8, X9 & X10 in order. Integrate the additional crystals into the scheme as shown on the thruth table for X102, X103, X104 & X105. INSTALL ALL CRYSTALS AS INDICATED ON SKETCH.

5. Mount the SWM assembly using the hardware supplied. The additional nut is provided to permit adjustment of the switch mounting, as necessary. In equipment utilizing a millimeter type shaft bushing on the original switch it may be necessary to ream the shaft opening to 3/8". The switch normally mounts upside down to provide bottom access to the crystal trimmer adjustments.

6. Connect the switch leads to the appropriate circuit board connection points. Adjust the individual trimmers in accord with manufacturers data.







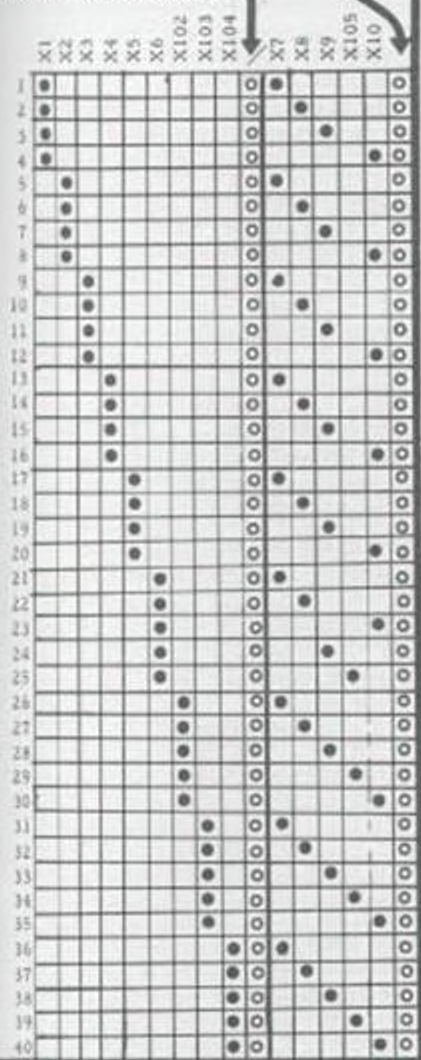
INSTALLATION INSTRUCTIONS  
MODEL SWM-40  
MODEL SWA-40

---

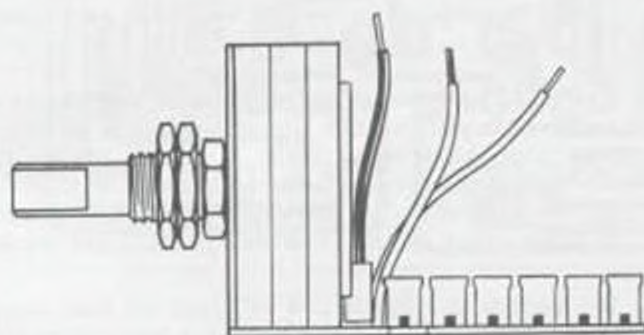
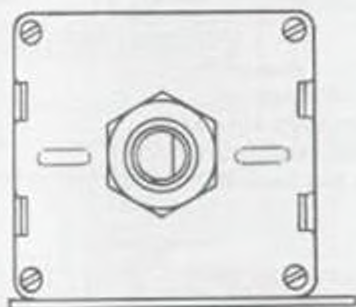
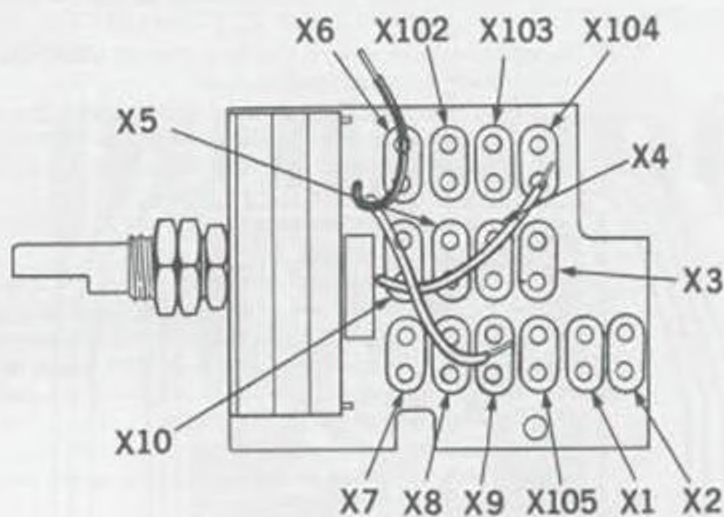
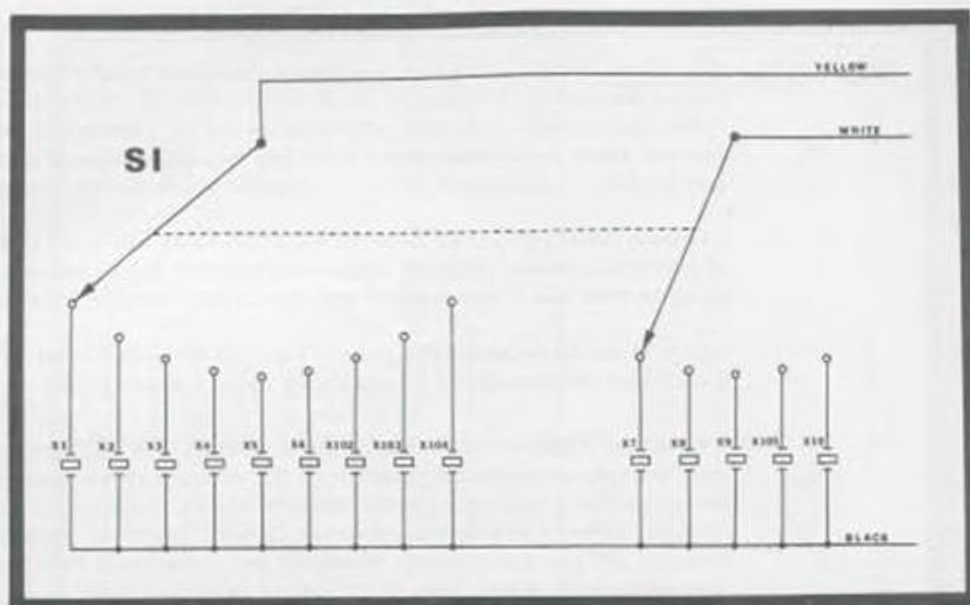
1. The model SWM-40 and SWA-40 BETA-COM Switching Modules are designed to replace the 23 channel selector switch assembly in Citizens Band transceivers employing two separate oscillator circuits. Typically these circuits are utilized in the Transmit and Receive functions to synthesize the necessary output frequencies. These circuits employ one high frequency oscillator which is mixed with a low frequency oscillator to provide the desired operating output frequency.
2. remove the transceiver housing so as to have full access to both the bottom of the printed circuit board and the top side. Always make certain that the transceiver to be modified is operating in both the transmit and receive functions before starting with the conversion.
3. Before commencing with the conversion examine the radio to make certain that the SWM module will physically fit into the transceiver in place of the existing 23 channel selector switch assembly. The SWM Switch Module generally mounts "up-side-down" in the radio but may vary depending upon the model and space available. Always mount so the leads from the Module will be as short as possible when wired into the circuit.
4. After determining that the Switch Module can be accommodated within the enclosure of your transceiver, locate the switch output leads which feed the 2 oscillator circuits. One will be the high frequency oscillator and the second will be the low frequency oscillator. These leads should be cut at the switch end and not at the PC board end as this will facilitate their proper location in further steps.
5. Remove all remaining switch leads at the PC board end by carefully unsoldering from the printed circuit board. Remove the old selector switch and set aside.
6. If your radio employs plug-in crystals carefully remove them from the transceiver and plug them into the proper sockets on the SWM-40 Switch Module. If your radio uses soldered-in crystals it is recommended that you use the SWA-40 Switch Module since it has sockets for only the added crystals, X102, X103, X104 and X105. The SWM-40 Switch Module may be used with soldered-in crystals but it is then necessary to remove the sockets for X1 thru X10 so that the crystals removed from the radio can be soldered directly to the SWM-40 PC board. If your radio does employ soldered-in crystals be very careful in removing the crystals. It is recommended that you use "solder-wick" or some type of solder removal tool.
7. Ream the channel selector mounting hole to 3/8" diameter to permit mounting the Switch Modulw. Install the Module with the hardware included. Locate the high frequency oscillator input. This will be one of the wires you left on the PC board. Connect the YELLOW lead from the switch module to this point. Locate the lead which connects to the low frequency oscillator and connect the WHITE lead to this point. Connect the BLACK lead from the switch module to a convenient PC board common ground point. Keep all leads as short as possible.
8. Install the knob and align as instructed in knob assembly sheet. Reassemble radio.



COMMON 10 KHZ SPACING  
COMMON 50 KHZ SPACING



X1 X2 X3 X4 X5 X6 X7 X8 X9 X10  
X102 X103 X104  
X105 X106 X107 X108 X109 X110



BETA-COM CORPORATION



INSTALLATION INSTRUCTIONS  
MODEL SWM-53

1. The Model SWM-53 switch module is designed to replace the 23 channel selector switch assembly in Citizens Band Transceivers. This improved model provides individual tuning capacitor adjustments on all crystals added to the synthesizer system while providing small size and the advantage of utilizing the existing crystals and trimmer capacitors in their original place in the transceiver.
2. Remove the transceiver housing so as to have full access to both the top and bottom of the transceiver. Always make certain that the transceiver to be modified is operating in both the transmit and receive modes before starting the conversion.
3. Refer to the Schematic Diagram, Top and Bottom Views of the Printed Circuit Board and the Switching Truth Table before proceeding.
4. The Model SWM-53 is so designed to permit use with transceivers employing two separate oscillator circuits in the frequency synthesizer. The SWM-53 also provides for wiring into circuits where the low, or common side of the two oscillators are either common to each other or connected to different points. Before proceeding, examine the schematic diagram of the transceiver and determine which type of circuitry is employed.
  - A. In transceivers where the low side of each oscillator is common to each other proceed as follows-
    1. Clean hole B adjacent to capacitor C105A and install lead D of capacitor C105A into hole B and solder.
    2. Connect a short piece of wire from the tab D of trimmer capacitor C105 and into hole B where the tabs of trimmer capacitors C102, C103 and C104 are connected. Solder.
    3. Proceed with the installation of the SWM-53.
  - B. In transceivers where the low side of each oscillator is not common to each other proceed as follows-
    1. Bend the lead D of discap C105A towards tab D of trimmer capacitor C105 and wrap around tab. Connect a short length of wire to tab D of the trimmer capacitor C105 and solder. This lead will be connected to the low side of the 10 kHz spaced oscillator circuit.
    2. Proceed with the installation of the SWM-53.
5. Remove the existing selector switch from the transceiver. Unsolder or cut the leads running from the crystal circuitry to the selector switch, at the switch end. It is helpful if a sketch is made identifying each lead with reference to its appropriate crystal. This will make wiring of the SWM-53 switch module more convenient. In cases where the existing leads are not long enough to reach the solder pads on the SWM-53 it may be necessary to use the longer leads provided with the module. Use caution when replacing the leads so as to prevent solder splashes or delaminating of the main PC board.
6. Mount the SWM-53 and connect each of the leads from the crystals to the appropriate solder pads on the switch module. The lead from crystal X1 should be soldered to the pad identified as 1; the lead from crystal X2 should be soldered to the pad identified as 2, etc.
7. The lead connected to the high side of the 50 kHz spaced oscillator should be soldered to pad A. The lead connected to the low side of the 50 kHz spaced oscillator should be soldered to pad B. The lead connected to the high side of the 10 kHz spaced oscillator should be soldered to pad C while the lead from the low side of the 10 kHz spaced oscillator should be connect to the lead D. In some cases, as noted above, B and D are the same points.
8. The transceiver should now be ready for final alignment. It will probably not be necessary to realign all channels but good practice dictates that the manufacturers recommendations be followed. Sams Photofacts generally provides detailed alignment instructions and care in the installation and alignment will insure stable, on frequency operation across the band.



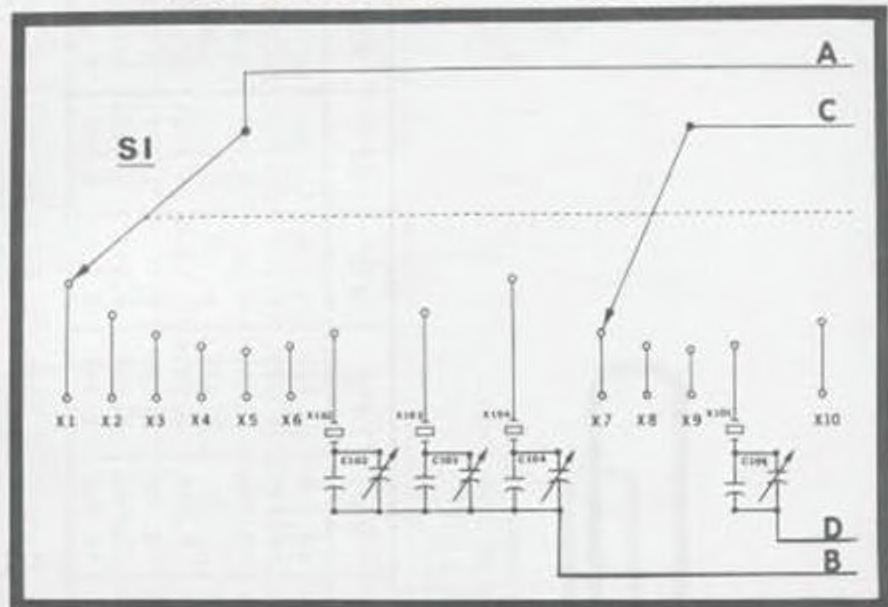
# SWITCHING TRUTH TABLE

COMMON 10 KHZ SPACING  
COMMON 50 KHZ SPACING

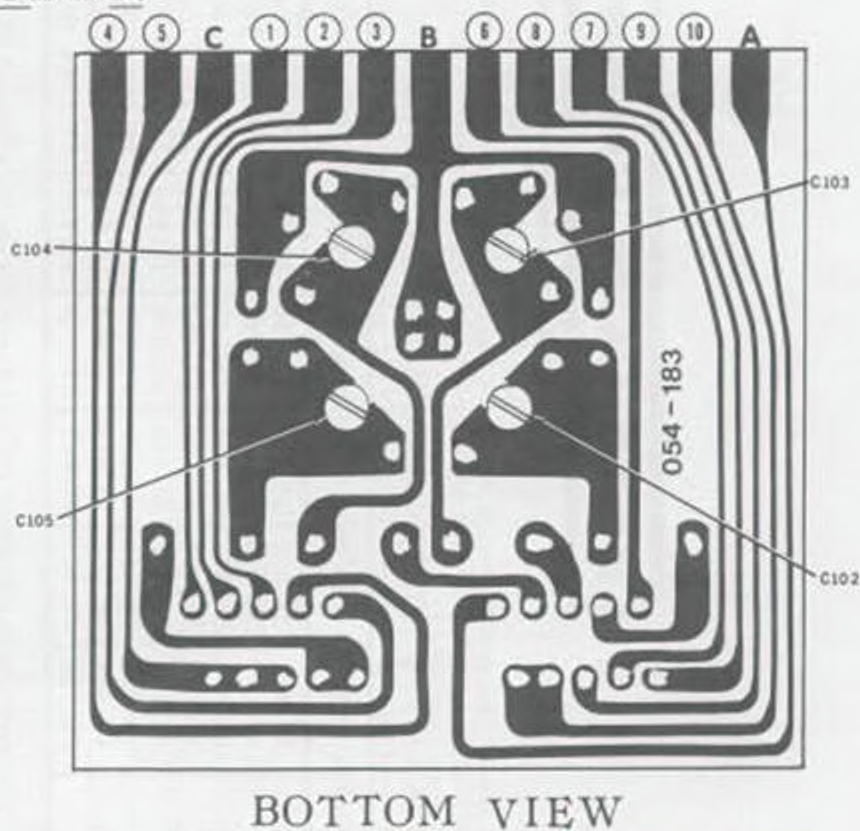
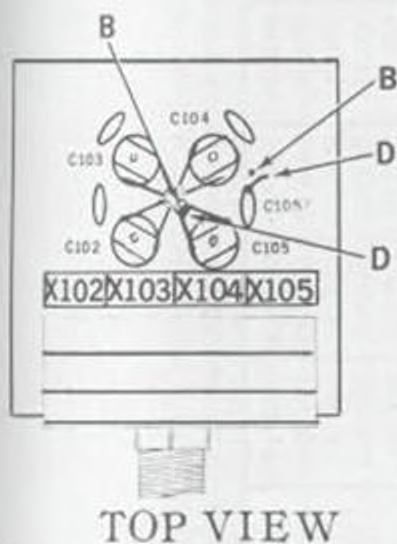
	X1	X2	X3	X4	X5	X6	X7	X8	X9	X10
1										
2										
3										
4										
5										
6										
7										
8										
9										
10										
11										
12										
13										
14										
15										
16										
17										
18										
19										
20										
21										
22										
23										
24										
25										
26										
27										
28										
29										
30										
31										
32										
33										
34										
35										
36										
37										
38										
39										
40										

X1 X2 X3 X4 X5 X6 X7 X8 X9 X10  
X102 X103 X104 X105

# SWM-53 SCHEMATIC DIAGRAM



CONNECT A LEAD FROM EACH OF THE TERMINALS NUMBERED 1 THROUGH 10 TO THE CORRECT CRYSTAL CIRCUIT CONNECTION, AS INDICATED ON THE SCHEMATIC DIAGRAM AND SWITCHING TRUTH TABLE REFER TO DETAILED INSTALLATION INSTRUCTIONS FOR INFORMATION ON CONNECTING TERMINALS A, B, C AND D.



# BETA-COM CORPORATION



# BETA-COM Corporation

MODELS  
SWM-42 & SWA-42

IF YOUR RADIO HAS THE FOLLOWING CRYSTAL COMPLEMENT READ ACROSS

	X1	X2	X3	X4	X5	X6	X7	X8	X9	X10	X11	X12	X13	X14
2A	37.600	37.650	37.700	37.750	37.800	37.850	10.635	10.625	10.615	10.595	10.180	10.170	10.160	10.140
2B	37.600	37.650	37.700	37.750	37.800	37.850	10.635	10.625	10.615	10.595	11.090	11.080	11.070	11.050
2C	34.971	35.021	35.071	35.121	35.171	35.221	8.006	7.996	7.986	7.966	8.461	8.451	8.441	8.421
2D	33.000	33.050	33.100	33.150	33.200	33.250	6.035	6.025	6.015	5.995	6.490	6.480	6.470	6.450
2E	32.700	32.750	32.800	32.850	32.850	32.900	5.735	5.725	5.715	5.695	6.1904	6.1804	6.1704	6.1504
2F	19.005	19.055	19.105	19.155	19.205	19.255	7.960	7.970	7.980	8.000	7.505	7.515	7.525	7.545
2G	18.513	18.563	18.613	18.653	18.713	18.763	8.452	8.462	8.472	8.492	8.902	8.917	8.927	8.947
2H	16.965	17.015	17.065	17.115	17.165	17.215	10.000	10.010	10.020	10.040	9.545	9.555	9.565	9.585

THEN USE THE CORRESPONDING GROUP TO ADD CHANNELS 24 THRU 40.

	X102	X103	X104	X105	X106
2A	37.900	37.950	38.000	10.605	10.150
2B	37.900	37.950	38.000	10.605	10.060
2C	35.271	35.321	35.371	7.976	8.431
2D	33.300	33.350	33.400	6.005	6.460
2E	33.000	33.050	33.100	5.705	6.1604
2F	19.305	19.355	19.405	7.990	7.535
2G	18.813	18.863	18.913	8.482	8.937
2H	17.265	17.315	17.365	10.030	9.575

INSTALL THE CRYSTALS INTO THE SWITCH MODULE AS SHOWN ON THE CHART ENCLOSED WITH YOUR MODULE.....



MODEL SWM-53

IF YOUR TRANSCEIVER EMPLOYS CRYSTALS  
X1 through X10 THEN ADD X102, X103, X104  
and X105 SHOWN ON THE SAME LINE, . . . . .

GROUP	X1	X2	X3	X4	X5	X6	X7	X8	X9	X10	X102	X103	X104	X105
1A	7.7777	7.7943	7.8110	7.8277	7.8443	7.8610	14.9040	14.9140	14.9240	14.9440	7.8777	7.8943	7.9110	14.9340
1B	11.7000	11.7500	11.8000	11.8500	11.9000	11.9500	7.4625	7.4725	7.4825	7.5025	12.0000	12.0500	12.1000	7.4925
1C	15.9650	16.0150	16.0650	16.1150	16.1650	16.2150	6.0000	6.0100	6.0200	6.0400	16.2650	16.3150	16.3650	6.0300
1D	8.1590	8.2090	8.2590	8.3090	8.3590	8.4090	11.0035	11.0135	11.0235	11.0435	8.4590	8.5090	8.5590	11.0335
1E	23.3300	23.3800	23.4300	23.4800	23.5300	23.5800	14.9070	14.9170	14.9270	14.9470	23.6300	23.6800	23.7300	14.9370
1F	15.2820	15.2980	15.3154	15.3320	15.3487	15.3654	10.6350	10.6250	10.6150	10.5950	15.3820	15.3987	15.4154	10.6050
1G	11.7400	11.7900	11.8400	11.8900	11.9400	11.9900	7.4225	7.4325	7.4425	7.4625	12.0400	12.0900	12.1400	7.4525

EXAMINE THE CHART ABOVE AND DETERMINE THE FREQUENCY GROUP WHICH YOUR TRANSCEIVER USES.  
CRYSTALS X1 THROUGH X10 SHOULD BE IDENTIFIED SO THAT THE CORRECT LEAD CAN BE IDENTIFIED  
FOR EACH CRYSTAL. THESE WILL BE SOLDERED TO THE CORRECT PAD ON THE SWITCH MODULE PC  
BOARD.

**BETA-COM Corporation**

068-116C



# BETA-COM

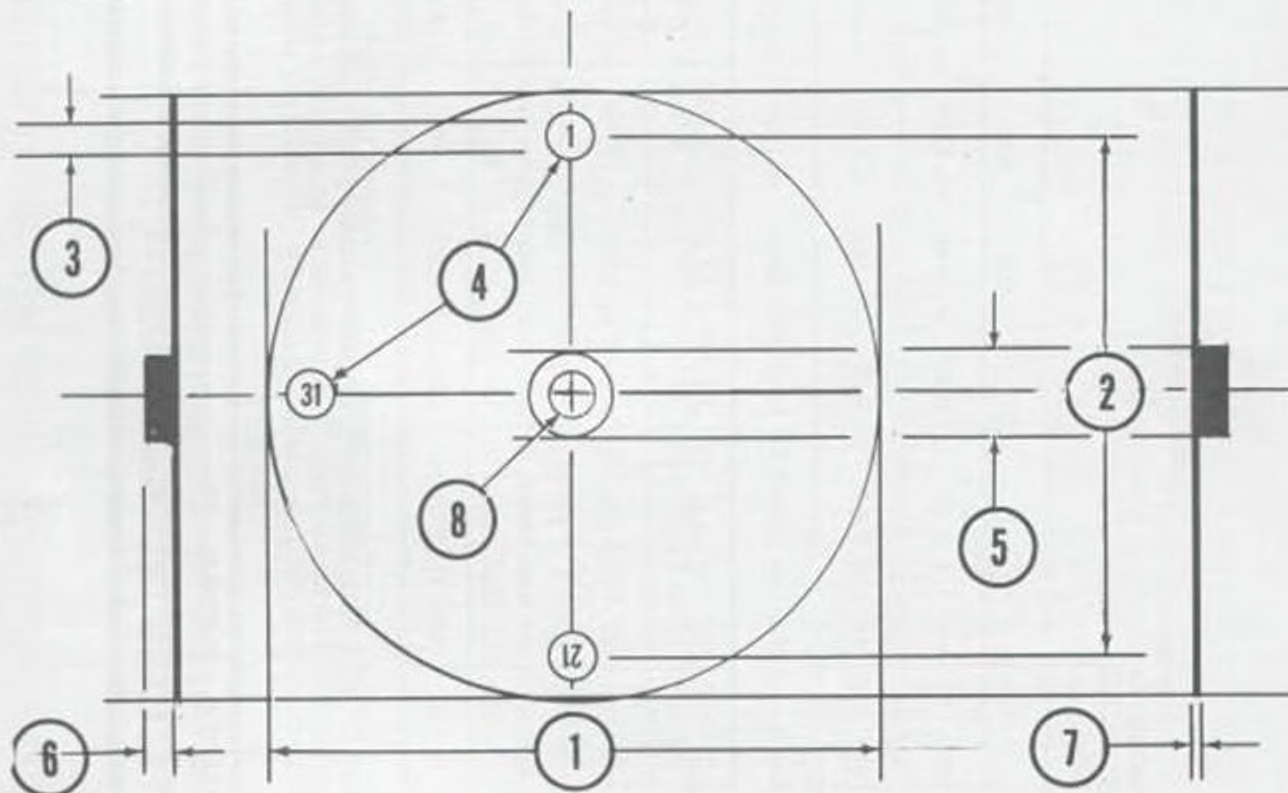
# SERVICE BULLETIN

#K1

**Subject:** Detailed Knob Questionnaire  
Showing measurements of original 23 channel knob.

Product SWITCH MODULEModel ALLStock No. -----Issue Date DECEMBER 20, 1977

MANUFACTURER \_\_\_\_\_ MODEL \_\_\_\_\_

BASE  
MOBILEKNOB DETAILS-----

1. WHAT IS OUTSIDE DIAMETER OF KNOB (TO NEAREST .032") \_\_\_\_\_
2. WHAT IS DISTANCE BETWEEN NUMBERS, CENTER TO CENTER \_\_\_\_\_
3. WHAT IS HEIGHT OF NUMBERS \_\_\_\_\_
4. DO NUMBERS READ CORRECTLY AT 12 O'CLOCK OR 9 O'CLOCK \_\_\_\_\_
5. WHAT IS OUTSIDE DIAMETER OF BUSHING \_\_\_\_\_
6. WHAT IS THICKNESS OF BUSHING (EXCLUDING DIAL PLATE) \_\_\_\_\_
7. WHAT IS THICKNESS OF DIAL PLATE \_\_\_\_\_
8. WHAT IS INSIDE DIAMETER OF BUSHING (OR DIAL IF NO BUSHING) \_\_\_\_\_
9. IS DIAL FLAT  YES  NO
10. IS DIAL ----  CLEAR  WHITE  BLACK
11. IS LETTERING  WHITE  BLACK

**BETA-COM CORPORATION**



Subject: PRODUCTION CHANGE

Product SWITCH MODULE

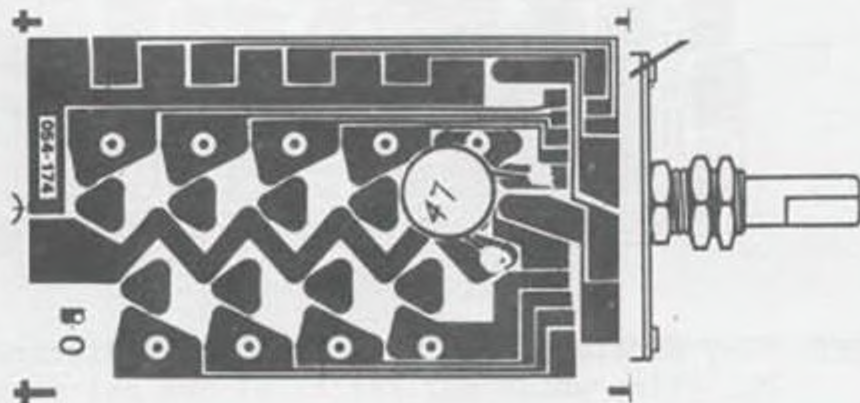
Model SWM-41 Stock No. 100-248

Issue Date May 1, 1977

All Model SWM-41 Switch Modules produced after May 1, 1977 utilize lower values of series capacitors and trimmers. The original production on the SWM-41 used a 47 pf disc type capacitor in shunt with a 4-50 pf trimmer. This parallel combination, used in series with each of the 50 KHz spaced crystals, provided a total capacity variable from 50 to 95 pf.

All new production of the SWM-41 Switch Module will employ a 33 pf disc capacitor, in shunt with a 2-20 pf trimmer capacitor. This permits the module to be used in many models where the lower value of series crystal capacity is necessary to properly tune the crystal. The new values provide a capacity range of from 35 to 55 pf.

Some models, such as the Cobra 138 and 139 and the Midland 13-895 require the addition of extra capacity to accurately tune the 8 Mhz crystals. The addition of a single 47 pf disc capacitor will provide the necessary added capacity to properly tune the crystals. This capacitor must be added from the arm of the 8 Mhz switching circuit to the 8 Mhz common point. A convenient placement for this discap is shown in the sketch below. Make certain, in soldering the disc to the PC board, that no solder splashes or bridges are caused which would interfere with circuit operation.





# BETA-COM

# SERVICE BULLETIN

# 12

**Subject:** MODEL LISTINGS FOR  
SWX SWITCH MODULES

**Product** SWITCH MODULE

**Model** SWX **Stock No.** SERIES

**Issue Date** JULY 13, 1977

SWX-21 PLL SWITCH MODULE FOR USE IN TRANSCEIVERS UTILIZING THE  
UPD-857/858 PHASE LOCK LOOP INTEGRATED CIRCUITS:

Standard Communications  
Cobra  
Regency

Horizon 29A  
21X  
CR240

SWX-22 PLL SWITCH MODULE FOR USE IN TRANSCEIVERS UTILIZING THE  
PLL/01A PHASE LOCK LOOP INTEGRATED CIRCUITS:

Kraco  
HyGain

KCB-2310A  
681, 682

SWX-23 PLL SWITCH MODULE FOR USE IN TRANSCEIVERS UTILIZING THE  
PLL/02A PHASE LOCK LOOP INTEGRATED CIRCUITS:

General Motors  
Truetone  
Pearce-Simpson  
HyGain  
Midland

CBD-10  
MCC4434B-67  
Tiger Mark 2  
2681  
13-881C

**NOTE:** Many models not shown in the above listings utilize the  
PLL chips which our series of SWX switches is designed to  
update. A physical examination of your transceiver will  
allow you to determine which SWX model to use.



Product SWM-42 SWITCH MODULE

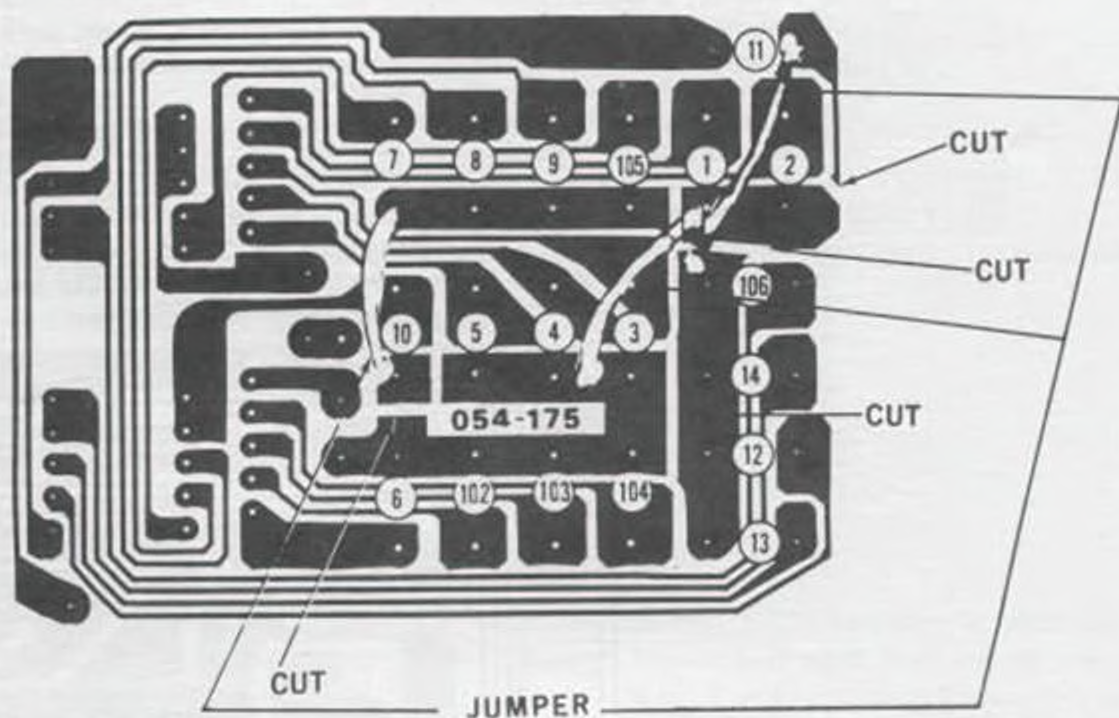
Model SWM-42 Stock No. 100-251

Issue Date OCTOBER 3, 1977 (rev.)

**Subject:** PRINTED CIRCUIT BOARD  
CHANGES NECESSARY IN  
TRANSCEIVERS WHERE THE  
LOW SIDE OF CRYSTAL  
CIRCUITS ARE NOT COMMON

Certain transceivers in which the low side of the oscillator circuits are not common will require certain PC board changes to permit use of the SWM-42 and SWA-42 Switch Modules.

1. Cut the foil of the PC board as shown in the sketch below. Use a razor blade or sharp knife.
2. Add a jumper to connect the ground side of X11 to the ground side of X106, X14, X12 and X13. Connect a lead to this point. This lead will then be connected to the circuit where the low side of the receiver oscillator crystals had been connected.
3. Add a jumper to connect the ground side of crystals X1 & X2 to the ground side of X3, X4, X5, X6, X102, X103 and X104. Connect a lead to this point. It will be wired to the same point as the low side of the 50 KHz spaced crystals were originally connected in the unmodified radio.
4. Add a jumper to connect the ground side of crystals X10 to X7, X8, X9 and X105. Connect a lead to this point. This lead will then connect to the circuit point which had been the low side of the transmit oscillator circuit.
5. Refer to the detailed installation instructions for the SWM-42/SWA-42 Switch Module





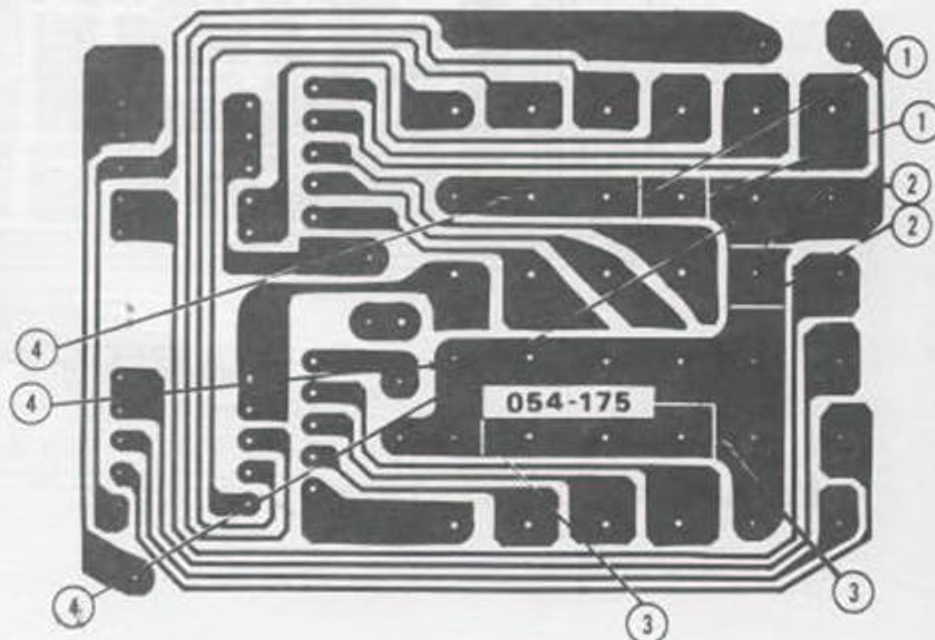
**Subject:** PRINTED WIRING BOARD  
CHANGES REQUIRED TO  
BRING X102 thru X106  
CRYSTALS TO CORRECT  
FREQUENCY

**Product** SWITCH MODULE  
**Model** SWM-42 **Stock No.** 100-251  
**Issue Date** 1-15-78

Beta-Com makes every effort to insure that our crystal correlation provides "on-frequency" performance of the finished Switch Module installation. In many instances the original transceiver manufacturer has made production changes which may affect the frequency of crystals supplied by Beta-Com. In the event that the frequencies generated by crystals X102, X103, X104, X105, and X106 are higher than they should be a small capacity placed across each crystal can generally bring them into the correct frequency. A good counter of known accuracy should be used to monitor both the original crystal frequencies as well as those of the added crystals.

In some installations it may be necessary to raise the frequency of crystals X102, X103, X104, X105, and X106. In this case it is necessary to place a small series capacity in the ground lead of each of the crystals. The sketch below shows the most convenient method of opening the ground return for these crystals so that a series capacitor can be inserted.

1. Carefully cut the PC board copper foil with a razor blade or sharp knife where shown at points 1, 2, and 3.
2. Connect a short jumper of insulated wire to land areas 4 so as to tie all ground areas for crystals X1 thru X14 together.
3. Connect a small capacitor, of appropriate value from isolated ground for X105 between points indicated at "1" and ground area "4".
4. Connect a small capacitor from isolated ground for X106 between points indicated at "2" and ground area "4".
5. Connect a small capacitor from isolated ground for X102, X103 and X104 indicated at "3" and ground area "4".
6. Remember the best method of determining the correct value of these series capacitors is to temporarily solder in a low value, measure the frequency and if it is too high add more capacity until the correct total value is determined. Then remove the capacitors and replace them with a single capacitor of approx. the same total value.





**Subject:** GENERAL INSTALLATION  
INSTRUCTIONS- SWITCH  
MODULE, MODEL SWX-23

**Product** SWITCH MODULE

**Model** SWX-23 **Stock No.** 100-255

**Issue Date** December 12, 1977

The Model SWX-23 40 channel selector switch assembly is designed to replace the existing 23 channel selector switch assemblies in PLL transceivers manufactured by Cybernet Electronics of Japan. These radios are marketed by a number of US companies including Midland, Hy-Gain, Colt, GM, Pearce-Simpson, Truetone as well as a number of others. This radio can be identified either by examining the transceiver or the schematic diagram. The Integrated Circuit employed in the Phase Lock Loop system is identified as "PLL-02".

Two different printed circuit boards have been used in these transceivers. The basic difference is in the board layout in the area of the selector switch. The most popular layout is shown on the reverse side of this sheet. Examine the sketch carefully. In the event that your transceiver is not exactly the same as the sketch it will be necessary to rewire the board to conform to the sketch.

#### REFER TO FIGURE #1

1. Carefully cut PC board conductors at (1), (2), & (3).
2. Connect a jumper on the bottom of the PC board from (4) to (5).
3. Connect a jumper on the bottom of the PC board from (6) to (7).

#### REFER TO FIGURE #2

1. Remove jumper J-104 from PC board. The hole vacated by removing J-104, toward the front of the board will be used for switch wire GRAY. (9)
2. Solder the BROWN/BLACK lead from the switch to the vacant hole adjacent to C135 and D102. (8)
3. Solder BLUE/BLACK lead into hole (1)
4. Solder BLUE lead into hole (2)
5. Solder YELLOW lead into hole (3)
6. Solder ORANGE lead into hole (4)
7. Solder ORANGE/BLACK lead into hole (5)
8. Solder BROWN lead into hole (6)
9. Hole (7) is not used.

Mount the new switch using the hardware supplied. It will be necessary to remove the old 23 channel dial from the knob assembly and replace it with the new 40 channel dial plate supplied with the SWX-23. Generally two small screws attach the dial plate to the dial assembly.

Reassemble your radio and it is now ready for "On-frequency" operation on all 40 channels.....



### SWITCHING TRUTH TABLE

	BROWN	ORANGE/BLACK	ORANGE	YELLOW	BLUE/BLACK	BLUE	GRAY	BROWN/BLACK
1								
2	•							
3		•						
4			•					
5	•			•				
6		•	•					
7	•	•	•					
8	•	•	•					
9	•	•	•	•				
10	•	•	•	•	•	•		
11								
12		•	•	•	•	•		C
13	•	•	•	•	•	•		O
14								M
15	•							N
16	•	•						O
17	•	•	•	•	•	•		C
18	•	•	•	•	•	•		O
19	•	•	•	•	•	•		M
20				•	•	•		N
21	•							
22	•	•						
23	•	•	•	•	•	•		
24	•	•	•	•	•	•		
25	•	•	•	•	•	•		
26	•	•	•	•	•	•		
27	•	•	•	•	•	•		
28	•	•	•	•	•	•		
29	•					•	•	
30	•	•						
31	•	•	•	•	•	•		
32	•	•	•	•	•	•		
33	•	•	•	•	•	•		
34	•	•	•	•	•	•		
35	•	•	•	•	•	•		
36	•					•	•	
37	•							
38	•	•						
39	•	•	•	•	•	•		
40	•	•	•	•	•	•		

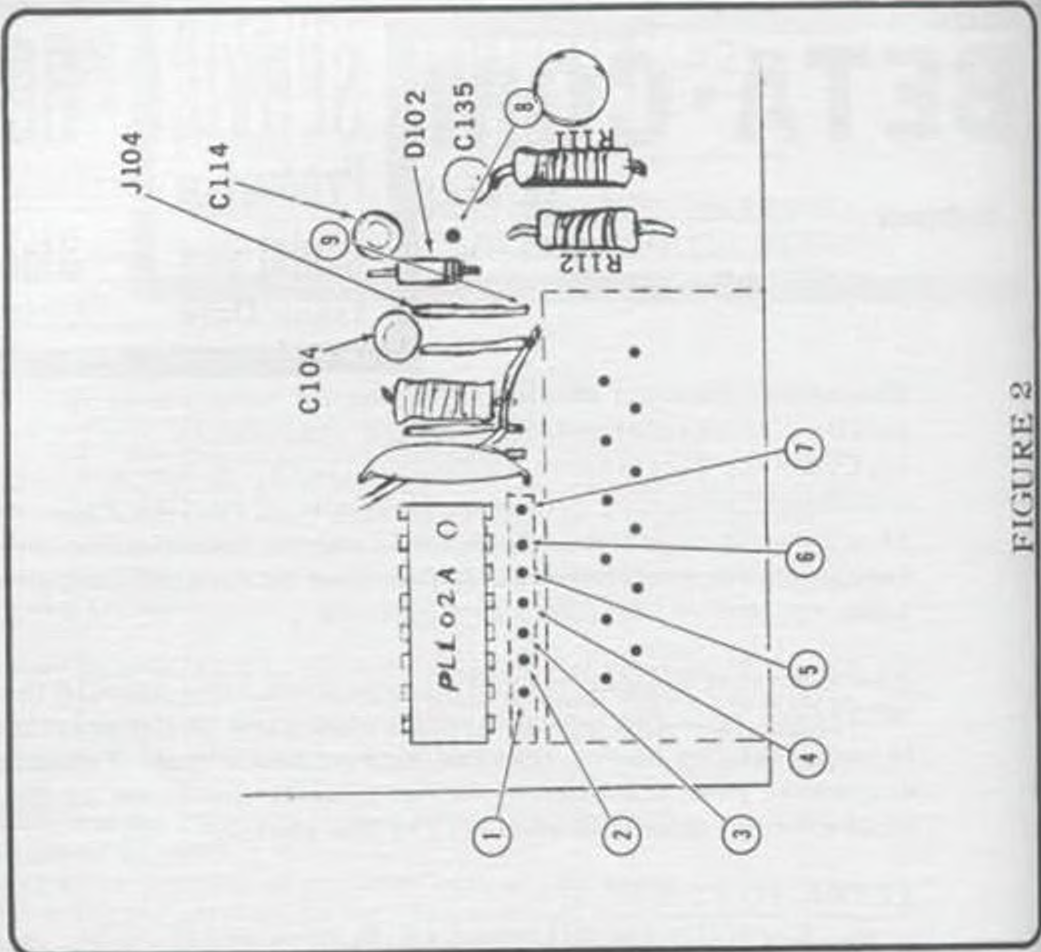


FIGURE 2

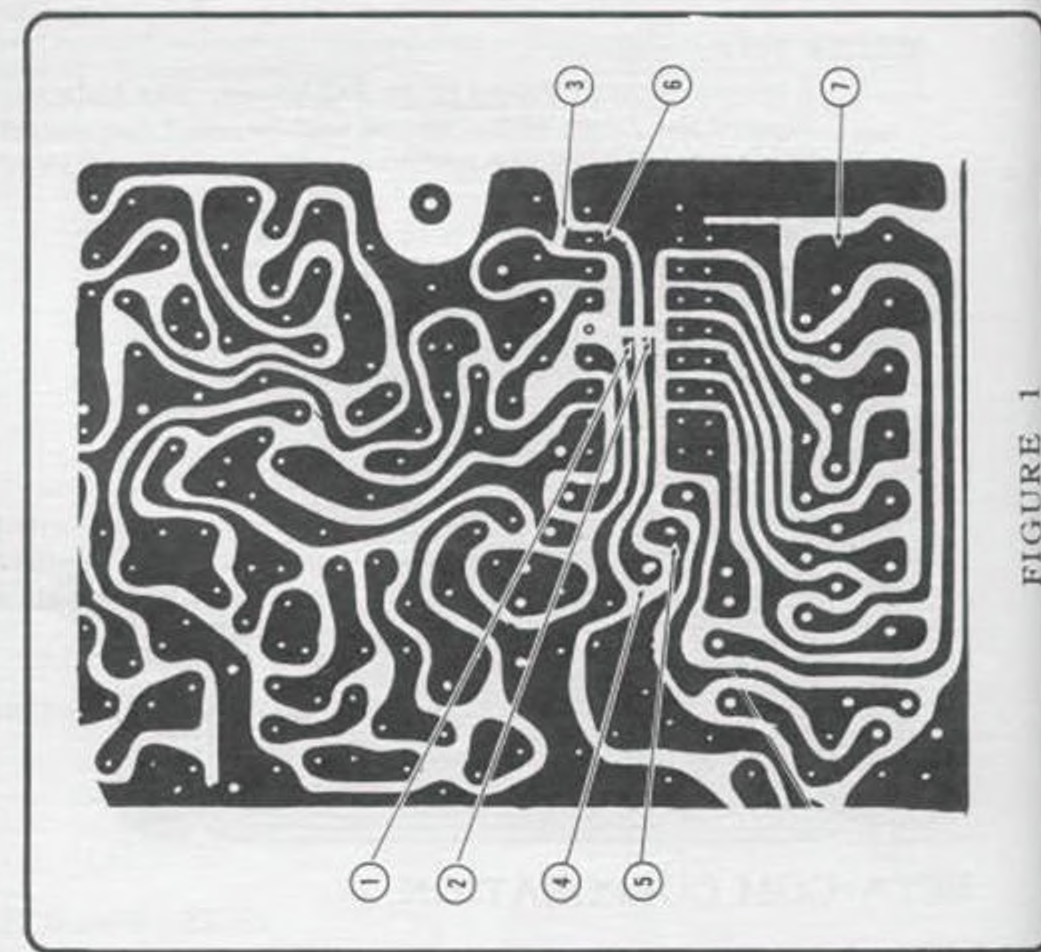


FIGURE 1



# BETA-COM

## SERVICE BULLETIN #35

Product SWITCH MODULE

Model SWM-53 Stock No. 100-252

Issue Date 12-2-77

**Subject:** Detailed instructions for installing Beta-Com Switch Module Model SWM 53 in Pace 1000 B and 1000 M Transceivers.

Refer to Sams photofact #94, Pg. 31 thru 68 and #104, pg. 27 thru 62.

1. Remove cabinet from transceiver after checking to make certain that the unit is operating properly in both receive and transmit modes.
2. The Pace Sidetalk models 1000 B and M use the 24th position of the 23 channel selector switch to disable certain functions of the transmitter and receiver. Remove the pink lead which connects the 23 channel switch to the Junction of R218, C218 and the Collector of Q11 ( Shown in Sams manual as point 51 ).

### PROCEED AS FOLLOWS.

- A. Carefully cut each lead connected to the 23 channel switch at the switch end.
- B. Remove the 23 channel selector switch from the front panel.
- C. Locate and solder a lead, supplied with kit, to the Junction of L201 & R217 ( Identified in Sams manual as point 70 ). This will be connected to SWM - 53 Pad C.
- D. Locate and solder a lead to C222 and Junction of C241 - 245 ( Shown in Sams as point 59 ). This will be connected to Pad B on the SWM 53.
3. Prepare SWM - 53 Switch Module so as to provide for isolated low side of the 10 KHZ spaced crystals. Connect the lead D of C105A to Tab D of C105 and connect lead to this junction. Solder. This is point D as shown in the Schematic diagram.
4. Mount the SWM 53 switch module.
5. Locate and identify each of the leads from crystals X1 thru X6 and X7 thru 10.
6. Remove capacitor C228 (56PF) from the circuit. It is not used with SWM 53 switch.
7. Solder the center lead of the shielded cable running from the junction of L202 & R225 (Shown in Sams as point 52) to pad A on SWM 53.
8. Solder the lead from junction of L201 & R217 (Step 2C above) to pad C on SWM 53.
9. Solder the lead from C222 and junction of C241-245 (Step 2D above) to Pad B on SWM - 53.
10. Solder the lead from SWM 53 point D (Step 3 Above) to Junction of CR204, C225, L204 and C247 - 250 ( Shown in Sams as point 68 ).
11. Connect the leads from each of the crystals, X1 thru X10 to the appropriate pads on the SWM 53 module.
12. The transceiver is now ready for alignment. Sams instructions should be followed and used for reference.



11A) Dress & Tie all leads to prevent movement.

13. Align per instructions in Sams manual.

After checking thru Channel 23 turn Selector switch to each of the following channels and adjust as indicated. All frequencies should be  $\pm 50\text{HZ}$ , mode switch LSB, clarifier to center detent. Measure from TPI with counter.

<u>Set Selector to Channel</u>	<u>Adjust</u>	<u>Indicated Frequency at TPI</u>
40	C204 *	19.6025
39	C205 *	19.5925
35	C203 *	19.5525
30	C202 *	19.5025

\* On SWM 53 Module

14. Install knob. Check performance to insure on-frequency operation. Remove counter and install case. The unit should now be ready for operation on all 40 channels.

SB 35B



**Subject:** Detailed Instructions for Installing Beta-Com Switch Module, Model SWM-53 in SBE Sidebander II

Product SWITCH MODULE

Model SWM-53 Stock No. 100-252

Issue Date 12-12-77

Refer to Sams Photofact #50, Pages 97 to 126

1. Remove cabinet from transceiver after checking to make certain that the unit is operating properly in both receive and transmit modes.
2. The Sidebander II uses the 24th position of the 23 channel selector switch to disable certain functions of the transmitter and receiver. This requires that certain wiring presently connected to the 23 channel switch be rewired before commencing with the 40 channel conversion.

### PROCEED AS FOLLOWS:

- A- Carefully cut each lead connected to the 23 channel switch, at the switch end.
  - B- Remove 23 channel switch from front panel.
  - C- Locate each of the following leads, skin and connect together, solder and insulate with tape. Violet lead from RF Gain Control; Violet lead from relay; Violet lead from PC Board adjacent to C507; Gray lead from PC Board adjacent to C115.
  - D- Remove yellow lead connected to PC Board adjacent to crystal filter. It is not required.
3. Prepare SWM-53 switch module so as to provide for isolated low side of the 10 kHz spaced crystals. Connect lead D of C105A to Tab D of C105 and connect lead to this junction. Solder. This is point D as shown on the Schematic Diagram.
  4. Mount SWM-53 switch module. Run one nut onto bushing so as to mount the switch back from the panel far enough to provide space for the transmit indicator lamp.
  5. Locate and identify each of the leads from crystals X1 thru X6 and X7 thru X10.
  6. Remove capacitor C247. Install and solder a wire provided with switch kit into the vacated hole which is common with all trimmer caps associated with X1 thru X6 and C212 (shown in Sams manual as point 130). This lead is connected to Pad B on SWM-53.
  7. Connect a lead from the junction of L17 and R202 (identified by Sams as point 117). This lead connects to Pad A on SWM-53.
  8. Connect a lead from the junction of L16 and R701 (identified by Sams as point 142). This lead connects to Pad C of SWM-53.
  9. Connect the lead from point D of SWM-53 (this is the lead connected in step 3 above) to the junction of D22, C701, & R201 (Sams reference point 133).
  10. Connect the leads from each of the crystals, X1 thru X10 to the appropriate pads on the SWM-53 module.

Dress and tie all leads so as to make certain that the crystal leads do not move.

11. The transceiver is now ready for alignment. Proceed as follows. Sams instructions for alignment should be used for reference.



## ALIGNMENT

Set function switch to LSB position.

1. Connect counter to G1 of Q14; connect lead from ground to pad C on SWM-53. This will disable 7MHZ oscillator and permit accurate measurement of 11MHZ oscillator. Adjust all frequency  $\pm 50$ HZ. Set clarifier for center.

<u>Set Selector to Channel</u>	<u>Adjust</u>	<u>For Indicated Frequency Of</u>
1	CV6	11.700
5	CV7	11.750
9	CV8	11.800
13	CV9	11.850
17	CV10	11.900
21	CV11	11.950
26	C102*	12.000**
31	C103*	12.050**
36	C104*	12.100**

\* On SWM-53 module.

\*\* Necessary to add capacity across C102A, C103A, & C104A

2. Remove counter from Q14 and grounding lead from pad C of SWM-53.
3. Connect counter to G2 of Q14.

<u>Set Selector to Channel</u>	<u>Adjust</u>	<u>For Indicated Frequency Of</u>
40	CV5	7.5025
39	C105 *	7.4925 **
38	CV4	7.4825
37	CV3	7.4725
36	CV2	7.4625

The unit should now be ready for On-frequency operation on all 40 channels. Check and install case. Install knob as shown on knob instruction sheet.

**SB36B**



# BETA-COM

# SERVICE BULLETIN #37

Product SWITCH MODULE

Model SWM-53 Stock No. 100-252

Issue Date 12-13-77

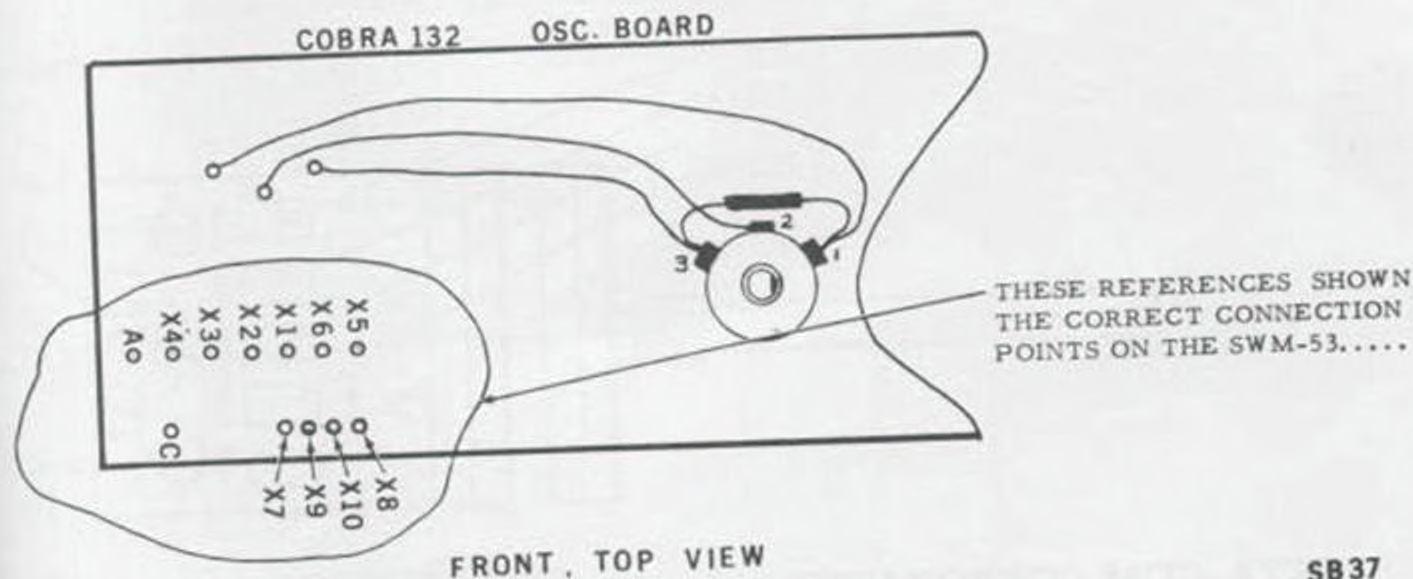
**Subject:** Detailed Instructions for Installing Beta-Com Switch Module Model SWM-53 in Cobra Model 132

Refer to Sams Photofact #73, pages 5 to 40

1. Remove cabinet from the transceiver after checking to make certain that it is operating properly in both transmit and receive modes. The Cobra 132 is slightly more difficult to modify to 40 channel operation due to the fact that the Clarifier control is mounted in the center of the 23 channel selector switch assembly. Modification, using the Beta-Com Model SWM-53 can easily be accomplished if the Mic Gain control is used as the Clarifier control.
2. Remove the existing 23 channel selector switch from the Cobra 132 oscillator board along with the clarifier control. It is recommended that some type of solder removal tool or "solder wick" be used so as to prevent delamination of the copper from the PC board.
3. Remove the leads connected to the Mic Gain control. (rear section of the Mic Gain/RF gain control) The yellow and white wires should be carefully soldered together and insulated with tape. Remove R-115, a 1000 ohm resistor which is connected to terminal 3 of R47B, the Mic Gain control. This control is now ready to be used as the Clarifier control.
4. Connect a lead to each of the holes previously occupied by the 23 channel selector switch and Clarifier control. Wire as shown in the sketch below.
5. Enlarge to switch mounting hole to 3/8" dia. and mount the SWM-53 module. Carefully dress all leads and cement the Oscillator PC Board to the bottom of the SWM-53 module. Care should be taken since this is the only support which is provided for this end of the PC board. A silastic type cement has been found to be most effective in this application.
6. Align the radio following the steps outlined in the Sams manual or the manufacturers instruction book. It may be necessary to add capacity, in the form of additional discaps, across the SWM-53 trimmer capacitors. Alignment should provide the readings shown in the manuals 50 Hz.
7. Reassemble the radio. It is now ready for operation on all 40 channels.

MAKE CERTAIN THAT THE SWM-53 SWITCH MODULE HAS BEEN MODIFIED IN ACCORDANCE WITH THE INSTRUCTIONS DETAILED IN STEP 4A ON SHEET 068-116

CONNECT A LEAD FROM PC BOARD  
COMMON GROUND POINT TO SWM-53  
PAD B





# BETA-COM

# SERVICE BULLETIN

# 39

Subject: CRYSTAL FREQUENCY

Product SWITCH MODULESModel ALL Stock No. -----Issue Date January 3, 1978

The Beta-Com Switch Modules which employ series capacitors to allow adjustment for crystal frequency are supplied with a 20 pf discap in shunt with a 20 pf trimmer capacitor. This provides a total adjustment of from 20 pf to 40 pf series capacity.

Many transceivers employ higher series capacity circuits and it may be necessary to add more circuit capacity to insure that the crystals are "on-frequency". The exact capacity which must be added is best determined in the field by testing after the module is installed.

We are sending each of our dealers a small supply of some of the more common values of discaps which may be necessary. Additional capacitors may be purchased from the factory at a cost of .05 each. We regret that we will only be in a position to supply the values shown below.

<u>Part Number</u>	<u>Value</u>
020-030	.01 mfd.
020-101	100 pfd.
020-104	330 pfd.
020-106	68 pfd.
020-111	20 pfd.
020-112	.33 pfd.

In the event that the measured crystal frequency is higher than that shown on our reference sheet add the necessary additional capacity in shunt with the trimmer capacitors associated with the particular crystal found to be high in frequency.



# BETA-COM

# SERVICE BULLETIN

# 40

Subject: GENERAL INSTALLATION  
INSTRUCTIONS

SWM-54-25

Product SWITCH MODULE

Model SWM5425 Stock No. 100-257

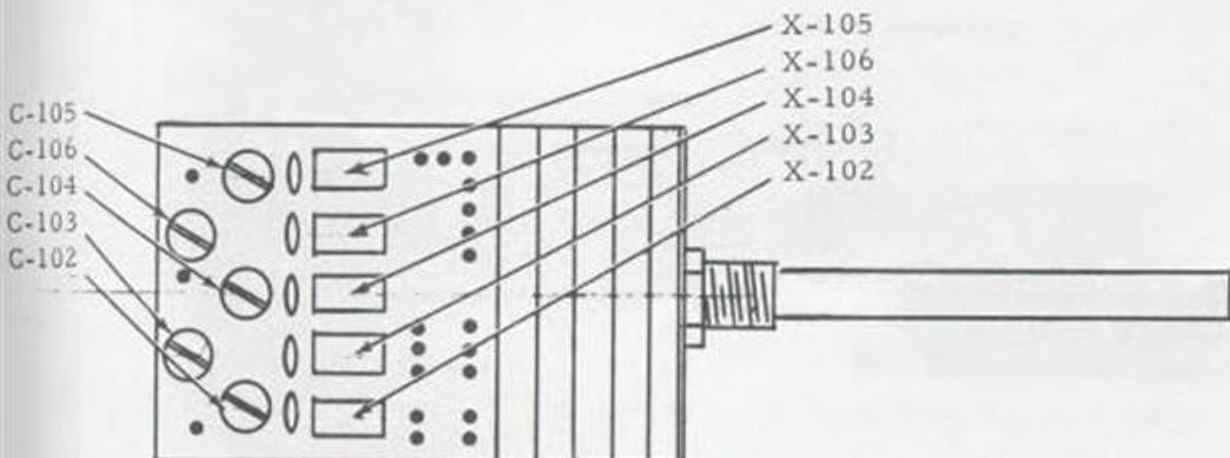
Issue Date January 15, 1978

The Beta-Com Model SWM-54 Switch Module is designed for use in transceivers which employ three separate oscillators for frequency synthesis.

1. Remove the existing 23 channel selector switch. It is generally recommended that the leads from the old switch be cut at the switch end to facilitate locating the correct connection points for the new switch module.
2. Install the switch module after cutting the shaft to the same length as the original switch. Connect the leads from the SWM54-25 to the appropriate PC board points.
3. Install the necessary crystals as indicated on the attached sheet. Use the Beta-Com crystal reference numbers rather than those in the radio to insure that the leads are connected to the proper points.
4. Align the transceiver as directed in the manufacturers specifications. Refer to Sams manual for detailed alignment information.

X1	Brown	X7	White/Brown	X11	White/Green
X2	Red	X8	White/Red	X12	White/Blue
X3	Orange	X9	White/Orange	X13	White/Violet
X4	Yellow	X10	White/Yellow	X14	White/Black
X5	Green				
X6	Blue				

Common, Low Side-	X1 thru X6, X102, X103, X104	Black
Common, Low Side-	X7 thru X10, X105	Orange/Blk
Common, Low Side-	X11 thru X14, X106	Yellow/Blk
Common, High Side-	X1 thru X6, X102, X103, X104	Violet
Common, High Side-	X7 thru X10, X105	Grey
Common, High Side-	X11 thru X14, X106	White



BETA-COM CORPORATION



## NEW PRODUCT RELEASE

### DIGI SCAN — MODEL RDS-1 Suggested Retail Price — \$149.95

*We have exciting news . . . .*

REDCO has recently completed design on an "ALL NEW" item for the communications market. Imagine a system that expands the receiver range from 26.055 MHz to 28.045 MHz (equivalent to 200 AM or 400 SSB channels), selects the operating frequency with a scan or step function (up or down), and displays the operating frequency at all times.

This system is **Real** and it's **Now**, it's DIGI SCAN by REDCO.

#### FEATURES:

- Expands receiver capabilities to 200 AM or 400 SSB channels
- Continuous display of operating frequency
- Scan and step control for frequency selection
- Automatically centers at 27.055 when receiver is turned on
- No external power requirements (uses existing radio power)
- Bright red light-emitting diodes (LED) for displays
- Instantaneous display when changing frequency
- Low-power consumption and reverse polarity protection
- Warranty - 6 Months
- Compact—lightweight design for vehicle and base station use
- Adapts to 40 channel PLL transceivers using the Uniden 858 PLL system:  
EXAMPLES: *President*: Grant, Washington,  
*Cobra*: 138 XLR, 139 XLR, *Robyn*: 510D, 520D,  
*Realistic*: TRC 457, 458, *navaho*, 448,  
*And others* . . .
- 10-15 minute installation with no adjustment or alignment problems.

#### SPECIFICATION:

Frequency range . . . . .	26.055 MHz to 28.045 MHz in 10 KHz steps
Readout . . . . .	1/2 inch high, 5 digit, 7-segment LED
Resolution . . . . .	least significant digit = 1 KHz
Power consumption . . . . .	500 Ma. at 13.8 VDC
Operating voltage range . . . . .	10.5 to 16 VDC
Size . . . . .	4"L x 6"D x 1.25"H
Scan rate . . . . .	12 steps/sec.

Note: The Digi Scan Model RDS-1 is designed for receiver use only and is protected against transmission with an automatic shut off feature.



**REDCO**

**DIGI-SCAN**

